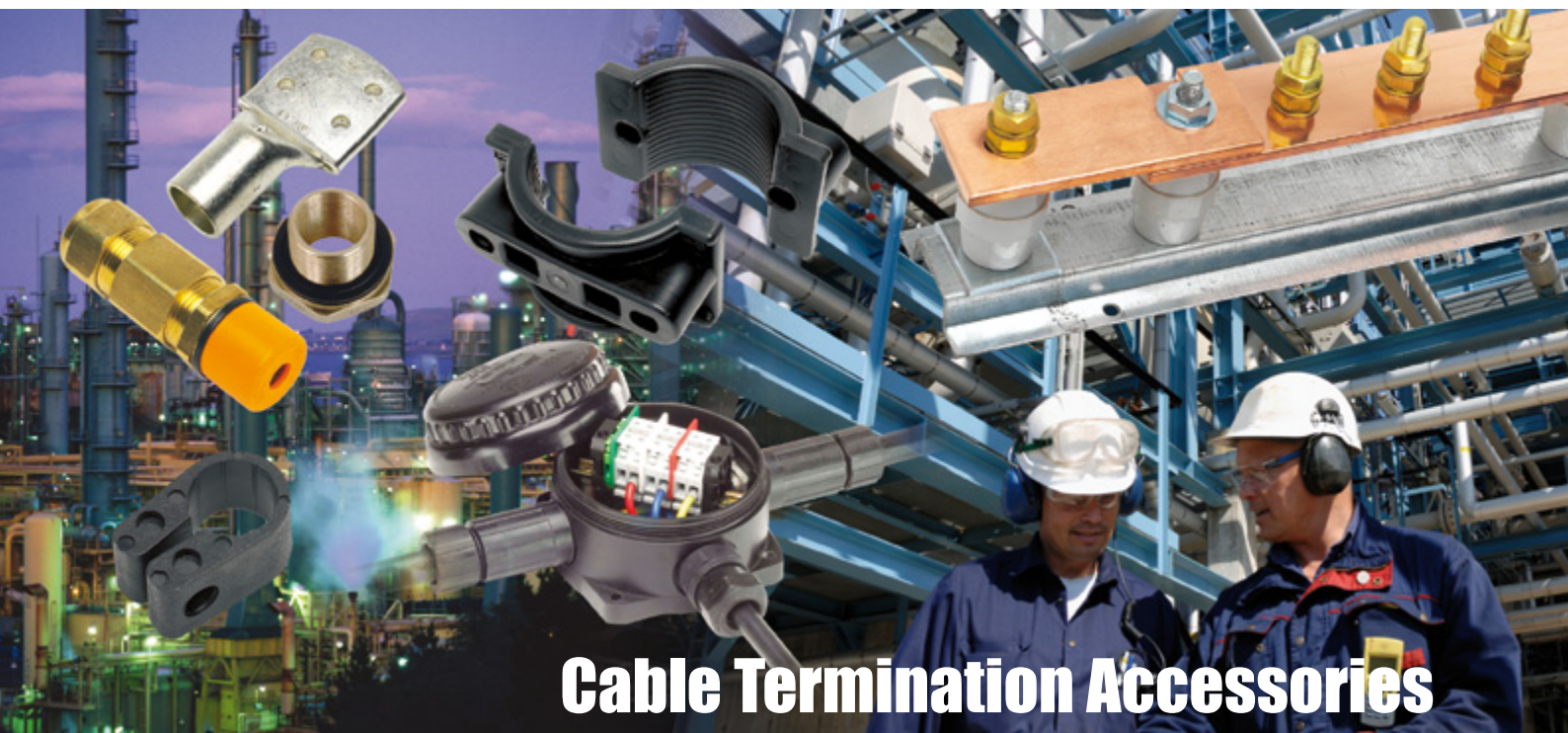
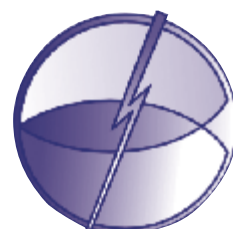


Remora Electrical Limited

General Product Catalogue



Cable Termination Accessories



Welcome

We would like to introduce our third illustrated catalogue of cable fixings and terminations.

As with our previous catalogues we have listened to what our customers have said and included more products, technical detail and an easier way to find what you need.

We are delighted to add to our extended range products from Furse, Koz and Prysmian which include surge protection, earthing and cable cleats.

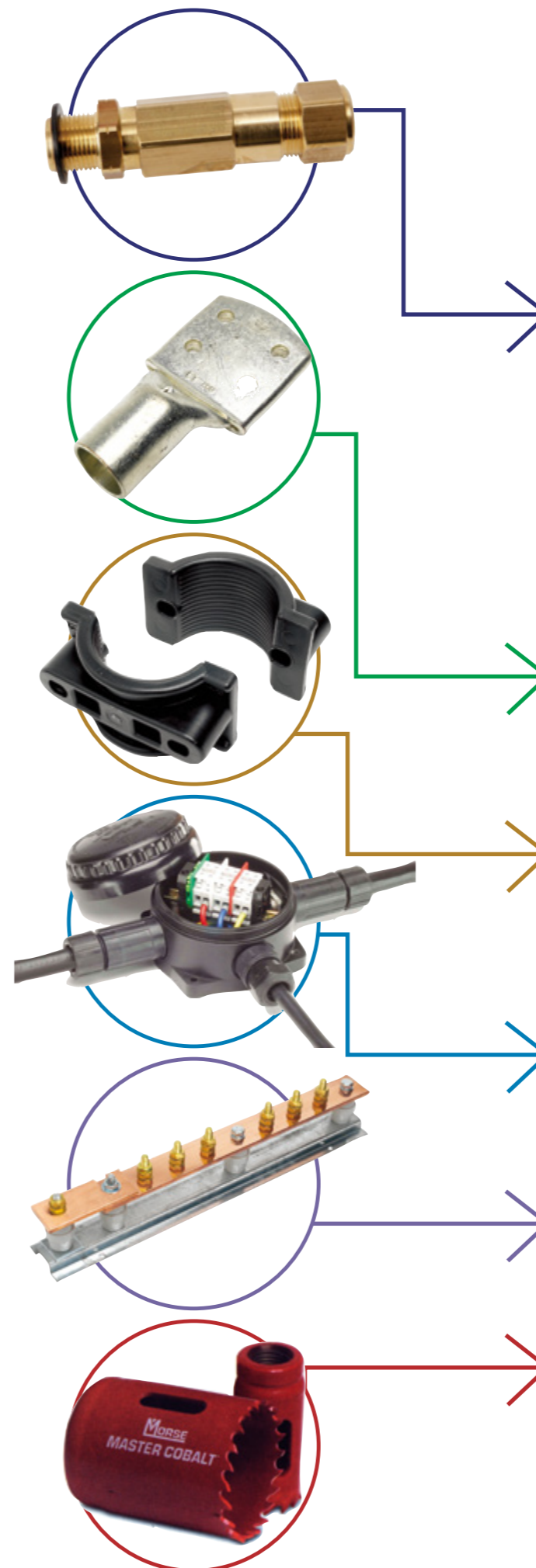
We are also including a range of gel joints and accessories to extend our range of joints further.

Remora Electrical has been trading since 1974 manufacturing cable cleats and supplying to wholesalers and cable distributors both in the UK and overseas. We have a respected name within the electrical industry and work closely with and supply some of the countries largest cable distributors and wholesalers. We pride ourselves in carrying large stocks of our range of products enabling us to cater from stock our customer needs, whether Industrial or Hazardous area.

Our products are found in many markets including oil and petrochemical, power generation, water treatment, mines and quarries as well as the commercial and industrial markets

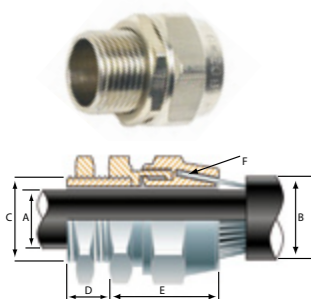
Remora has in the last twelve months moved to a new purpose built unit located within a one mile distance from the M1 motorway between Sheffield and Leeds. This has enabled us to carry larger stocks and more products.

Why not ask us to provide you with your own tailored price book? We are always willing to quote specific pricing for projects.



Industrial Cable Glands	3
Nylon Cable Glands & Plugs	8
Hazardous Area Cable Glands	12
Mines & Quarries Cable Glands	15
Cable Gland Accessories	18
MICC Cable Glands & Accessories	20
Flexible Conduit Systems	24
Hazardous Area Reducers/Adaptors	27
Industrial Reducers/Adaptors	30
Industrial Stopping Plugs	32
LV Copper Tube Terminals	33
Tooling	38
Cable Cleats	40
Trefoil Cable Cleat Systems	43
Cable Ties / Accessories / Tooling	52
Junction Boxes	59
Joint Kits & Accessories	65
Heatshrink	69
Earthing & Accessories	71
Electronic Systems Protection	78
Mechanical Fixing	81
Morse Hole Saws	88
Sizing Charts	90
Customer Services	93

CCG BW Cable Gland



The BW Gland is designed for use with Steel Wire Armoured (SWA) cables where no seal is required, used in indoor applications. The gland features two piece handling, no loose parts & freely rotating captive cone, providing an armour clamp and earth bond without twisting the steel wire armouring.

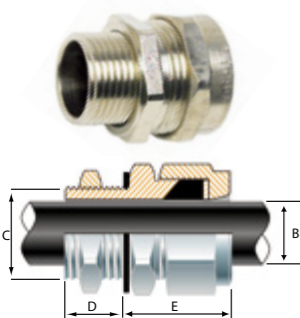
Material Brass Nickel Plated
IP Ratings IP2X
Standard BS6121 Part 1 1989



Gland Size	Entry Thread		Cable Details		Armour Dia		Max E	Gland Code	Kit Code	LSF Kit Code
	Metric C	Min D	Max A	Max B	Min F	Max F				
0 - M20s	M20 x 1.5	10	12.6	16.0	0.9	1.25	23.0	0503-0	GP0	GP0LS
1 - M20	M20 x 1.5	10	15.9	19.0	0.9	1.25	26.0	050301	GP1	GP1LS
2 - M25	M25 x 1.5	10	20.6	26.5	1.25	1.60	28.0	050302	GP2	GP2LS
3 - M32	M32 x 1.5	10	26.5	33.0	1.60	2.0	29.0	050303	GP3	GP3LS
4 - M40	M40 x 1.5	15	34.9	40.5	1.60	2.0	37.0	050304	GP4	GP4LS
5 - M50	M50 x 1.5	15	44.0	51.0	2.0	2.5	36.0	050305	GP5	GP5LS
6 - M63	M63 x 1.5	15	57.0	66.0	2.0	2.5	42.0	050306	GP6	GP6LS
7 - M75	M75 x 1.5	15	68.0	79.5	2.5	3.0	47.0	050307	GP7	GP7LS
8 - M80	M80 x 2.0	20	73.0	82.0	2.5	3.0	51.0	050308	GP8	
9 - M90	M90 x 2.0	20	81.0	90.0	3.0	3.5	61.0	050309	GP9	
10 - M100	M100x2.0	20	91.0	100.0	3.0	3.5	68.0	050310	GP10	

Note: Gland kits are complete with two terminations up to and including M32, M40 and above are single. Kits contain gland, brass lock nut, brass earth tag & PVC or LSF shroud. For un-plated brass please add -UN to the code e.g 050301-UN, GP1-UN, GP1LS-UN

CCG A2 Compression Gland



The A2 Compression Gland is designed for use with unarmoured, elastometric and plastic cable for both indoor & outdoor applications. Seals on the cable sheath, to IP68 if fitted with a sealing gasket.

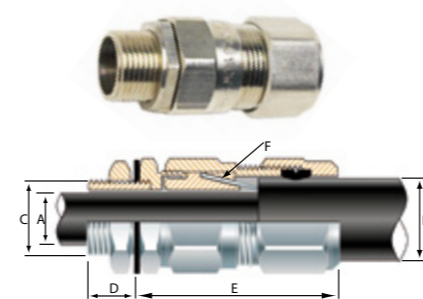
Material Brass Nickel Plated
IP Ratings IP66/67/68
Standard BS6121 Part 1 1989



Gland Size	Entry Thread		Cable Details		Max E	Gland Code	Kit Code	LSF Kit Code
	Metric C	Min D	Min B	Max B				
00 - M20ss	M20 x 1.5	10	3.0	8.0	20.0	053500	GPA200	GPA200LS
0 - M20s	M20 x 1.5	10	7.0	11.0	20.0	0535-0	GPA20	GPA20LS
1 - M20	M20 x 1.5	10	11.0	15.5	24.0	053501	GPA21	GPA21LS
2 - M25	M25 x 1.5	10	15.0	20.5	25.0	053502	GPA22	GPA22LS
3 - M32	M32 x 1.5	10	20.0	26.5	30.0	053503	GPA23	GPA23LS
4 - M40	M40 x 1.5	15	26.0	34.5	30.0	053504	GPA24	GPA24LS
5 - M50	M50 x 1.5	15	34.0	44.5	42.0	053505	GPA25	GPA25LS
6 - M63	M63 x 1.5	15	44.0	57.0	48.0	053506	GPA26	GPA26LS
7 - M75	M75 x 1.5	15	56.0	68.0	50.0	053507	GPA27	GPA27LS
8 - M80	M80 x 2.0	20	65.0	74.0	55.0	053508	GPA28	
9 - M90	M90 x 2.0	20	73.0	82.0	60.0	053509	GPA29	
10 - M100	M100x2.0	20	81.0	92.0	74.0	053510	GPA210	

Note: Gland kits are complete with two terminations up to and including M32, M40 and above are single. Kits contain gland, brass lock nut & PVC or LSF shroud. For un-plated brass please add -UN to the code e.g 053501-UN, GPA21-UN, GPA21LS-UN

CCG CW Cable Gland



The CW Gland is designed for Steel Wire Armoured cables for general indoor/outdoor use where a seal on the outer sheath is required to obtain an IP rating. The gland features two piece handling, no loose parts & freely rotating captive cone, providing an armour clamp and earth bond without twisting the steel wire armouring. Seals on the cable sheath, to IP66 if fitted with a sealing gasket.

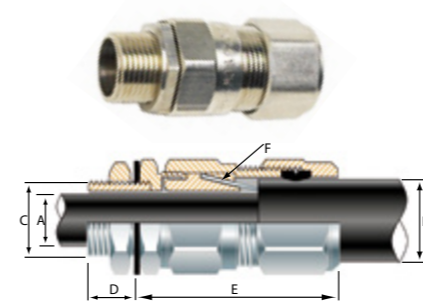
Material Brass Nickel Plated
IP Ratings IP66
Standard BS6121 Part 1 1989



Gland Size	Entry Thread		Cable Details		Armour Dia		Max E	Gland Code	Kit Code	LSF Kit Code
	Metric C	Min D	Min B	Max B	Min F	Max F				
00 - M20ss	M20 x 1.5	10	8.0	13.5	0.9	1.25	41.0	051200	GPCW00	GPCW00LS
0 - M20s	M20 x 1.5	10	11.5	16.0	0.9	1.25	43.0	0512-0	GPCW0	GPCW0LS
1 - M20	M20 x 1.5	10	14.5	21.0	0.9	1.25	47.0	051201	GPCW1	GPCW1LS
2 - M25	M25 x 1.5	10	20.5	27.0	1.25	1.6	56.0	051202	GPCW2	GPCW2LS
3 - M32	M32 x 1.5	10	26.5	33.5	1.60	2.0	57.0	051203	GPCW3	GPCW3LS
4 - M40	M40 x 1.5	15	33.0	43.0	1.60	2.0	68.0	051204	GPCW4	GPCW4LS
5 - M50	M50 x 1.5	15	42.5	52.5	2.0	2.5	72.0	051205	GPCW5	GPCW5LS
6 - M63	M63 x 1.5	15	52.0	65.5	2.0	2.5	89.0	051206	GPCW6	GPCW6LS
7 - M75	M75 x 1.5	15	65.0	78.0	2.5	3.0	97.0	051207	GPCW7	GPCW7LS
8 - M80	M80 x 2.0	20	77.5	82.0	2.5	3.0	98.0	051208	GPCW8	
9 - M90	M90 x 2.0	20	81.0	91.0	3.0	3.5	123.0	051209	GPCW9	
10 - M100	M100x2.0	20	90.0	101.0	3.0	3.5	124.0	051210	GPCW10	

Note: Gland kits are complete with two terminations up to and including M32, M40 and above are single. Kits contain gland, brass lock nut, brass earth tag & PVC or LSF shroud. For un-plated brass please add -UN to the code e.g 051201-UN, GPCW1-UN, GPCW1LS-UN

CCG CX/CZ Cable Gland



The CX/CZ Gland is designed for all braided or tape armoured cable for general outdoor use where a seal on the outer sheath is required to obtain an IP rating. The gland features two piece handling, no loose parts & freely rotating captive cone, providing an armour clamp and earth bond without twisting the steel wire armouring. Seals on the cable sheath, to IP66 if fitted with a sealing gasket.

Material Brass Nickel Plated
IP Ratings IP66
Standard BS6121 Part 1 1989

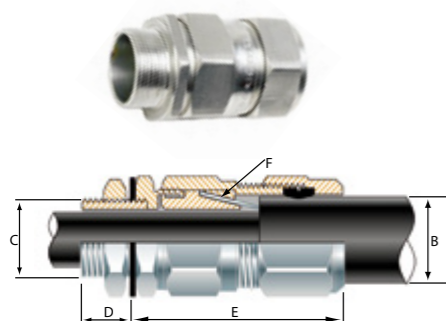


Gland Size	Entry Thread		Cable Details			Braid/STA Dia Min F	Max E	Gland Code	Kit Code	LSF Kit Code
	Metric C	Min D	Max A	Min B	Max B					
00 - M20ss	M20 x 1.5	10	8.0	5.0	10.0	0.85	55.0	051300	GPCX00	GPCX00LS
0 - M20s	M20 x 1.5	10	12.0	9.5	12.5	0.85	55.0	0513-0	GPCX0	GPCX0LS
1 - M20	M20 x 1.5	10	15.5	12.0	17.5	0.9	55.0	051301	GPCX1	GPCX1LS
2 - M25	M25 x 1.5	10	20.5	17.0	24.0	1.25	60.0	051302	GPCX2	GPCX2LS
3 - M32	M32 x 1.5	10	26.5	23.0	30.5	1.4	65.0	051303	GPCX3	GPCX3LS
4 - M40	M40 x 1.5	15	34.5	28.5	36.0	1.4	65.0	051304	GPCX4	GPCX4LS
5 - M50	M50 x 1.5	15	44.5	35.5	48.5	1.4	75.0	051305	GPCX5	GPCX5LS
6 - M63	M63 x 1.5	15	57.0	47.0	61.5	1.5	85.0	051306	GPCX6	GPCX6LS
7 - M75	M75 x 1.5	15	68.0	60.0	73.0	1.5	105.0	051307	GPCX7	GPCX7LS
8 - M80	M80 x 2.0	20	74.0	72.5	78.0	1.6	125.0	013008	GPCX8	
9 - M90	M90 x 2.0	20	82.0	78.0	86.0	1.6	145.0	051309	GPCX9	

Note: Gland kits are complete with two terminations up to and including M32, M40 and above are single. Kits contain gland, brass lock nut, brass earth tag & PVC or LSF shroud. For un-plated brass please add -UN to the code e.g 051301-UN, GPCX1-UN, GPCX1LS-UN

SY Sizing chart P.90

CW Aluminium Gland



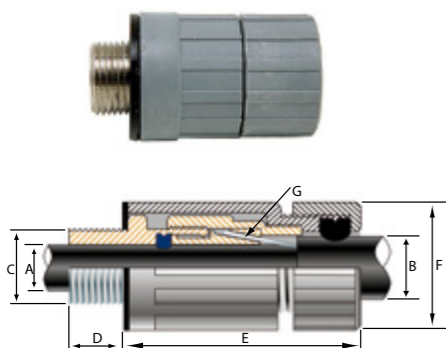
The CW Aluminium Gland is designed for Aluminium Wire Armoured cables (AWA) for general indoor/outdoor use where a seal on the outer sheath is required to obtain an IP rating. Seals on the cable sheath, to IP66 if fitted with a sealing gasket.

Material Aluminium
IP Ratings IP66
Standard BS6121 Part 1 1989

Gland Size	Entry Thread		Cable Details		Armour Dia		Max E	Kit Code	LSF Kit Code
	Metric C	Min D	Min B	Max B	Min F	Max F			
1 - M20	M20 x 1.5	10	14.5	21.0	0.9	1.25	47.0	GPCWA1	GPCWA1LS
2 - M25	M25 x 1.5	10	20.5	27.0	1.25	1.6	56.0	GPCWA2	GPCWA2LS
3 - M32	M32 x 1.5	10	26.5	33.5	1.6	2.0	57.0	GPCWA3	GPCWA3LS
4 - M40	M40 x 1.5	15	33.0	43.0	1.6	2.0	68.0	GPCWA4	GPCWA4LS
5 - M50s	M50 x 1.5	15	36.0	43.0	2.0	2.5	72.0	GPCWA5S	GPCWA5SLS
5 - M50	M50 x 1.5	15	43.0	52.5	2.0	2.5	72.0	GPCWA5	GPCW5ALS
6 - M63	M63 x 1.5	15	52.0	65.5	2.5		89.0	GPCWA6	GPCW6ALS

Note: Gland kits are complete with two terminations up to and including M32, M40 and above are single. Kits contain gland, aluminium lock nut, aluminium earth tag & PVC or LSF shroud.

CCG IP PLUS Corrosion Guard Gland



The IP PLUS Corrosion Guard Gland is designed for use with Steel Wire Armoured (SWA) cable. It provides an IP68 moisture proof seal on the outer sheath of the cable with a specially formulated IP PLUS seal to seal on the innersheath of the cable, thus making the gland suitable for use in highly corrosive and wet locations. The screw-on Corrosion Guard is manufactured from non-corrosive material to protect the steel wire armour and metal parts of the gland.

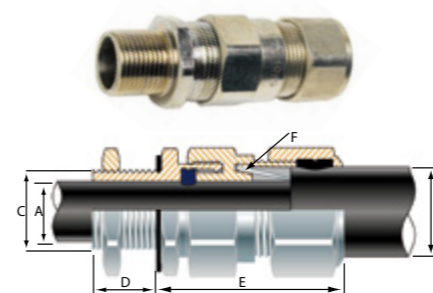
Material Brass Nickel Plated
IP Ratings IP66/68
Standard BS6121 Part 1 1989



Gland Size	Entry Thread		Cable Details				Armour Dia		Max E	Max Dia F	Gland Code	LSF Kit Code
	Metric C	Min D	Min A	Max A	Min B	Max B	Min G	Max G				
00 - M20ss	M20 x 1.5	15	3.0	8.0	8.0	13.5	0.2	1.25	53.0	35.0	054600	GPBWCG00
0 - M20s	M20 x 1.5	15	7.0	12.0	11.5	16.0	0.2	1.25	53.0	35.0	0546-0	GPBWCG0
1 - M20	M20 x 1.5	15	9.0	15.5	14.5	21.0	0.2	1.25	56.0	36.5	054601	GPBWCG1
2 - M25	M25 x 1.5	15	14.0	20.5	20.5	27.0	0.2	1.6	60.0	46.0	054602	GPBWCG2
3 - M32	M32 x 1.5	15	19.0	26.5	26.5	33.5	0.2	2.0	66.0	53.0	054603	GPBWCG3
4 - M40	M40 x 1.5	20	26.0	34.5	33.0	43.0	0.3	2.0	78.0	68.0	054604	GPBWCG4
5 - M50	M50 x 1.5	20	34.0	44.5	42.5	52.5	0.4	2.5	87.0	84.0	054605	GPBWCG5
6 - M63	M63 x 1.5	20	44.0	57.0	52.5	65.5	0.4	2.5	110.0	110.0	054606	GPBWCG6
7 - M75	M75 x 1.5	20	56.0	68.0	65.5	78.0	0.4	3.0	118.0	124.0	054607	GPBWCG7

Note: Gland kits are complete with two terminations up to and including M32, M40 and above are single. Kits contain gland, brass lock nut, brass earth tag & LSF Corrosion Guard shroud.

CCG E1W Cable Gland



The E1W Gland is designed for Steel Wire Armoured cables for outdoor use where a seal on the inner & outer sheath is required to obtain high level of IP protection. The gland features two piece handling, no loose parts & freely rotating captive cone, providing an armour clamp and earth without twisting the steel wire armouring. Seals on the cable sheath, to IP68 if fitted with a sealing gasket.

Material Brass Nickel Plated
IP Ratings IP66/67/68
Standard BS6121 Part 1 1989



Gland Size	Entry Thread		Cable Details				Armour Dia		Max E	Gland Code	Kit Code	LSF Kit Code
	Metric C	Min D	Min A	Max A	Min B	Max B	Min G	Max G				
00 - M20ss	M20 x 1.5	10	3.0	8.0	8.0	13.5	0.9	0.9	55.0	051800	GPE1W00	GPE1W00LS
0 - M20s	M20 x 1.5	10	8.0	12.0	11.5	16.0	0.9	1.25	55.0	0518-0	GPE1W0	GPE1W0LS
1 - M20	M20 x 1.5	10	11.0	15.5	14.5	21.0	0.9	1.25	55.0	051801	GPE1W1	GPE1W1LS
2 - M25	M25 x 1.5	10	15.0	20.5	20.5	27.0	1.25	1.6	60.0	051802	GPE1W2	GPE1W2LS
3 - M32	M32 x 1.5	10	20.0	26.5	26.5	33.5	1.6	2.0	65.0	051803	GPE1W3	GPE1W3LS
4 - M40	M40 x 1.5	15	26.0	34.5	33.0	43.0	1.6	2.0	65.0	051804	GPE1W4	GPE1W4LS
5 - M50	M50 x 1.5	15	34.0	44.5	42.5	52.5	2.0	2.5	75.0	051805	GPE1W5	GPE1W5LS
6 - M63	M63 x 1.5	15	44.0	57.0	52.5	65.5	2.0	2.5	85.0	051806	GPE1W6	GPE1W6LS
7 - M75	M75 x 1.5	15	56.0	68.0	65.5	78.0	2.5	3.0	105.0	051807	GPE1W7	GPE1W7LS
8 - M80	M80 x 2.0	15	68.0	74.0	78.0	83.0	2.5	3.0	148.0	051808	GPE1W8	
9 - M90	M90 x 2.0	15	74.0	82.0	83.0	91.0	3.0	3.5	165.0	051809	GPE1W9	
10 - M100	M100x2.0	15	81.0	91.0	90.0	101.0	3.0	3.5	140.0	051810	GPE1W10	

Note: Gland kits are complete with two terminations up to and including M32, M40 and above are single. Kits contain gland, brass lock nut, brass earth tag & PVC or LSF shroud. For un-plated brass please add -UN to the code e.g 051801-UN, GPE1W1-UN, GPE1W1LS-UN

Flat Form Cable Gland



This Gland is designed for use on all flat form cable. Ideally suited to indoor or sheltered locations. The gland seal is compressed onto the outer sheath of the cable.

Material Brass Nickel Plated
IP Ratings IP54

Size	Cable Range	Gland Code
PG16	>15.5 x 5.5	FFC-PG16
PG21	19.0 x 7.5	FFC-PG21
PG29	30.0 x 6.0	FFC-PG29/S
PG29	28.0 x 9.0	FFC-PG29/L
PG29	35.0 x 6.0	FFC-PG29/C
PG36	38.0 x 6.5	FFC-PG36/S
PG36	33.5 x 10.0	FFC-PG36/M
PG36	42.0 x 6.0	FFC-PG36/C

IP68 Metric Roundtop Gland / EMC Roundtop Gland

The Metric IP68 & IP68 EMC Compression Glands are designed for use with unarmoured, elastometric and plastic cable or braided cables. Please use EMC part code where EMC installation is required. Suitable for both indoor & outdoor applications.



Material Brass Nickel Plated
IP Ratings IP68
Standard EN 60 529

Gland Size	Entry Thread		Cable Range		Gland Length	Gland Code	EMC Gland Code
	Metric	Length	Min	Max			
12 - M12	M12 x 1.5	15	2.5	6.5	35	NP-IP68M12	EMC-IP68M12
16 - M16	M16 x 1.5	15	4.0	9.5	38	NP-IP68M16	EMC-IP68M16
1 - M20	M20 x 1.5	15	7.0	13.0	41	NP-IP68M20	EMC-IP68M20
2 - M25	M25 x 1.5	15	8.0	16.0	43	NP-IP68M25	EMC-IP68M25
3 - M32	M32 x 1.5	15	11.0	21.0	45	NP-IP68M32	EMC-IP68M32
4 - M40	M40 x 1.5	15	15.0	27.0	48	NP-IP68M40	EMC-IP68M40
5 - M50	M50 x 1.5	15	22.0	35.0	52	NP-IP68M50	EMC-IP68M50
6 - M63	M63 x 1.5	15	35.0	48.0	59	NP-IP68M63	EMC-IP68M63



IP68 PG Roundtop Gland

The IP68 PG Compression Gland is designed for use with unarmoured, elastometric cables. Suitable for both indoor & outdoor applications, seals on cable outer sheath to IP68.



Material Brass Nickel Plated
IP Ratings IP68
Standard EN 60 529



Gland Size	Entry Thread		Cable Range		Gland Length	Gland Code
	PG	Length	Min	Max		
PG7	PG7 x 18.0	15	2.5	6.5	25.0	NP-IP68PG7
PG9	PG9 x 14.0	15	4.0	9.5	29.0	NP-IP68PG9
PG11	PG11 x 14.0	15	6.0	11.5	30.0	NP-IP68PG11
PG13.5	PG13.5 x 11.5	15	7.0	13.0	32.5	NP-IP68PG13.5
PG16	PG16 x 11.5	15	8.0	15.0	34.0	NP-IP68PG16
PG21	PG21 x 11.5	15	11.0	19.0	35.0	NP-IP68PG21
PG29	PG29 x 11.5	15	16.0	26.0	38.0	NP-IP68PG29
PG36	PG36 x 8.0	15	22.0	34.5	42.0	NP-IP68PG36
PG42	PG42 x 8.0	15	27.0	40.0	47.0	NP-IP68PG42
PG48	PG48 x 8.0	15	35.0	48.0	54.0	NP-IP68PG48

Size	Locknut Code
PG7	BLNPG7
PG9	BLNPG9
PG11	BLNPG11
PG13.5	BLNPG13.5
PG16	BLNPG16
PG21	BLNPG21
PG29	BLNPG29
PG36	BLNPG36
PG42	BLNPG42
PG48	BLNPG48

Standard IP54 Metric Nylon Cable Gland

Remora Standard IP54 Gland is designed to give good all-round performance and can be supplied complete with lock nuts and sealing washers.



Material Nylon 6
IP Ratings IP54
Operating Temp -40 to 100 °C

Size	Gland Code	Cable Range		Min Thread Length	Bag QTY
		Min	Max		
M16	NG248	4.0	7.0	10	50
M20	NG249	4.0	7.0	10	50
M16	NG250	7.0	10.5	10	50
M20	NG251	7.0	10.5	10	50
M20	NG252	8.0	13.0	10	50
M25	NG264	4.0	7.0	10	50
M25	NG265	7.0	10.5	10	50
M25	NG253	8.0	13.0	10	25
M25	NG254	12.0	18.0	12	25
M32	NG255	18.0	24.5	12	25

Note: Available in Black, White & Red in all sizes, special colours to order.

IP68 Metric Nylon Roundtop Gland

Remora IP68 Gland is designed for indoor, outdoor & general use. It gives good all-round performance to IP68 and features integral claw design which offers excellent strain relief and prevents cable twisting.



Material Polyamide 6
IP Ratings IP68
Standard EN 60 529
Operating Temp -40 to 100 °C

Size	Gland Code	Cable Range		Min Thread Length	Bag QTY
		Min	Max		
M12	IP68M12	3.0	7.0	13	100
M16	IP68M16	3.0	7.0	13	100
M20	IP68M20s	4.0	9.0	13	100
M20	IP68M20	6.0	12.0	10	50
M20	IP68M20L	10.0	14.0	10	50
M25	IP68M25	13.0	18.0	13	50
M32	IP68M32	17.0	25.0	17	50
M40	IP68M40	22.0	32.0	17	20
M50	IP68M50	30.0	38.0	17	20
M63	IP68M63	35.0	48.0	17	5

Note: Available in Black, White, Red & Grey up to M32, M40 and above in Black or Grey, special colours to order. Long Thread versions are available on request.

Multi Hole Seal Inserts



The **Multi Hole Seal Insert** are designed to allow multiple cables through one gland. The range is available in seven sizes and offers one to nine holes. Unused holes can be plugged to maintain the IP rating.

Material Thermoplastic elastomer
IP Ratings IP66
Operating Temp -40C to +100C

Gland Size	Seal Code	Cable Range		Number of Holes	Bag QTY
		Min	Max		
M16	MFD16/02/040	2.0	4.0	2	5
M20	MFD20/02/050	3.0	5.0	2	5
M20	MFD20/03/040	2.5	4.0	3	5
M25	MFD25/02/080	6.0	8.0	2	5
M25	MFD25/03/070	5.0	7.0	3	5
M25	MFD25/04/060	3.0	6.0	4	5
M32	MFD32/04/070	3.5	7.0	4	5
M32	MFD32/06/060	4.0	6.0	6	5
M32	MFD32/04/080	6.0	8.0	5	5
M40	MFD40/4/0100	8.0	10.0	4	2
M40	MFD40/08/060	4.0	6.0	8	2
M50	MFD50/09/080	6.0	9.0	9	1
M50	MFD50/25/050	4.0	5.0	25	1
M63	MFD63/03/065	5.0	6.5	3	1

Plug Code	Dimensions	
	Plug Diameter	Plug Length
BS3	3.0	12
BS4	4.0	12
BS5	5.0	12
BS6	6.0	16
BS7	7.0	16
BS8	8.0	16

EExe Metric Roundtop Gland



The **EExe Nylon Gland** is designed for indoor, outdoor in zone 1 and zone 2 areas. It is manufactured from Polyamide 6 self extinguishing flame retardant material. Stocked in Black as standard, and available in intrinsically Safe Blue to order. Seals on the cable sheath, to IP68 if fitted with a sealing gasket.

Material Polyamide 6
IP Ratings IP66 without washer / IP68 with washer
Standard SIRA 00ATEX1072 EExe II
 LCIE 97ATEX6007X EExe II
Operating Temp -20C to +80C

Size	Gland Code	Cable Range		Thread Length	Bag QTY
		Min	Max		
M16	A2PE16	5.0	8.0	12	20
M20	A2PE20	8.0	13.0	12	20
M25	A2PE25	13.0	19.0	13	20
M32	A2PE32	18.0	25.0	15	10
M40	A2PE40	24.0	32.0	15	10
M50	A2PE50	29.0	38.0	15	10
M63	A2PE63	36.0	44.0	16	5

Note: Available in Black from stock & Blue to order.

IP68 PG Nylon Roundtop Gland



Remora Standard IP68 Gland is designed for indoor, outdoor & general use. It gives good all-round performance to IP68 and features intergral claw design which offers excellent strain relief and prevents cable twisting. Stocked in Grey as standard, special colours are available to order.

Material Polyamide 6
IP Ratings IP68
Standard EN 60 529

Size	Gland Code	Cable Range		Min Thread Length mm	Bag QTY
		Min	Max		
PG7	IP68PG7*	3.0	6.0	8.0	100
PG9	IP68PG9*	4.0	8.0	8.0	100
PG11	IP68PG11*	5.0	10.0	8.0	100
PG13.5	IP68PG13*	6.0	12.0	9.0	50
PG16	IP68PG16*	8.0	14.0	10.0	50
PG21	IP68PG21*	10.0	18.0	10.0	20
PG29	IP68PG29*	16.0	25.0	10.0	20
PG36	IP68PG36*	22.0	32.0	13.0	10
PG42	IP68PG42*	28.0	38.0	13.0	10
PG48	IP68PG48*	36.0	44.0	13.0	5

Note: Available in Black & Grey, please add required colour to end of code eg. IP68PG7B

Nylon Locknuts



Size	Nylon Locknut Code	Bag QTY
M12	NLN12 *	100
M16	NLN16 *	100
M20	NLN20 *	100
M25	NLN25 *	50
M32	NLN32 *	50
M40	NLN40 *	20
M50	NLN50 *	20
M63	NLN63 *	5

Note: M12 to M32 Available in Black, Grey, Red & White, M40 to M63 in Black and Grey only.
 * Please add required colour to end of code.

Nylon Locknuts



Size	Nylon Locknut Code	Bag QTY
PG7	NLNPG7 *	100
PG9	NLNPG9 *	100
PG11	NLNPG11 *	100
PG13.5	NLNPG13.5 *	50
PG16	NLNPG16 *	50
PG21	NLNPG21 *	20
PG29	NLNPG29 *	20
PG36	NLNPG36 *	10
PG42	NLNPG42 *	10
PG48	NLNPG48 *	5

Note: Available in Black & Grey
 * Please add required colour to end of code.

Nylon Sealing Washer



Size	Nylon Sealing Washer Code	Bag QTY
M12	NSW12	100
M16	NSW16	100
M20	NSW20	100
M25	NSW25	100
M32	NSW32	50

Industrial Stopping Plugs

Industrial Nylon Stoppers are designed as a cost effective alternative to the Hazardous area range. This industrial range is kept in two Metric styles, either Grey Round head or Black Hex head type and Grey Round head PG thread.



Material Nylon 6
IP Ratings IP66 if fitted with sealing washer

Size	Nylon Stopper Code	Min Male Thread Length	Bag QTY
M16	EVS16	6	100
M20	EVS20	6	100
M25	EVS25	7	50
M32	EVS32	7	50
M40	EVS40	9	10
M50	EVS50	10	10
M63	EVS63	10	5



Material Nylon 6
IP Ratings IP66 if fitted with sealing washer

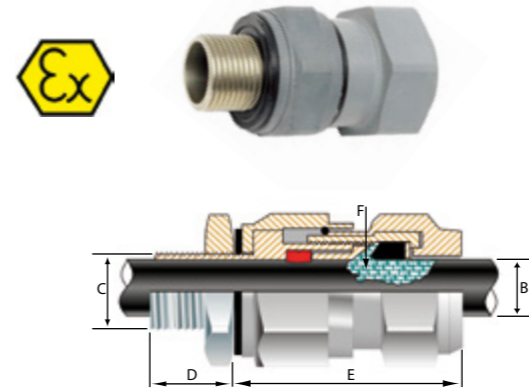
Size	Nylon Stopper Code	Min Male Thread Length	Bag QTY
M16	NSTP16	11	100
M20	NSTP20	11	100
M25	NSTP25	11	100
M32	NSTP32	11	50



Material Nylon 6
IP Ratings IP66 if fitted with sealing washer

Size	Nylon Stopper Code	Min Male Thread Length	Bag QTY
PG7	VS7	5	100
PG9	VS9	5	100
PG11	VS11	6	100
PG13.5	VS13	6	50
PG16	VS16	7	50
PG21	VS21	8	10
PG29	VS29	8	10
PG36	VS36	10	10
PG42	VS42	10	5
PG48	VS48	11	5

CCG POSI-BRAID CKXT EExe EMC Cable Gland



The **POSI-BRAID EExe Cable Gland** is designed for use with Steel Wire or Copper Wire Braid Armour. Manufactured from brass and encapsulated with a non-corrosive polyester outer body, offering complete protection in the most hostile of environments. For EMC environments braid placement is critical, for optimum performance the braids are terminated 360° around the periphery of the cable entry as opposed to using a pigtail technique. This broad footprint of braids against gland wall yields low transfer resistance and high EMC protection. Seals on both the inner and outer cable sheath, to IP68 if fitted with a sealing gasket.

Material Brass / Glass Reinforced Polyester / PBT
IP Ratings IP66/67/68
Standard CENELEC / ATEX Category 2 & 3, Ex e II GD, IIC Zones 1, 2, 21 & 22 EExe IIC DIP A21

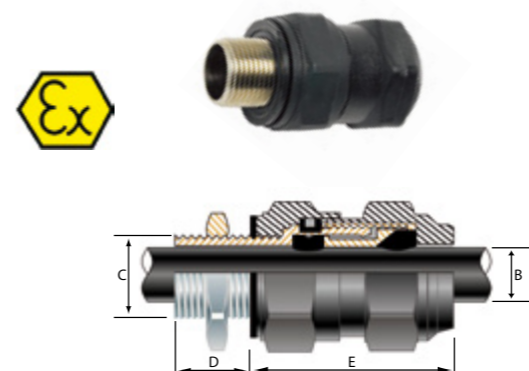


Gland Size	Entry Thread		Cable Details		Braid Dia		Max E	Gland Code	LSF Kit Code
	Metric C	Min D	Min B	Max B	Min F	Max F			
00 - M20ss	M20 x 1.5	15	3.0	8.0	0.2	0.3	42.0	054400-B	GPCKXT00LS
0 - M20s	M20 x 1.5	15	8.0	12.0	0.2	0.3	42.0	0544-0-B	GPCKXT0LS
1 - M20	M20 x 1.5	15	11.0	15.5	0.2	0.3	46.0	054401-B	GPCKXT1LS
2 - M25	M25 x 1.5	15	15.0	20.5	0.2	0.45	51.0	054402-B	GPCKXT2LS
3 - M32	M32 x 1.5	15	20.0	26.5	0.2	0.45	60.0	054403-B	GPCKXT3LS
4 - M40	M40 x 1.5	20	26.0	34.5	0.3	0.45	65.0	054404-B	GPCKXT4LS
5 - M50	M50 x 1.5	20	34.0	44.5	0.4	0.45	75.0	054405-B	GPCKXT5LS
6 - M63	M63 x 1.5	20	44.0	57.0	0.4	0.45	107.0	054406-B	GPCKXT6LS
7 - M75	M75 x 1.5	20	56.0	68.0	0.4	0.45	107.0	054407-B	GPCKXT7LS

Note: Gland kits are complete with two terminations up to and including M32, M40 and above are single. Kits contain gland, brass lock nut & brass earth tag.

SY Sizing chart P.90

CCG POSI-GRIP EExe Cable Gland



The **POSI-GRIP EExe Cable Gland** is designed for use with unarmoured, elastomeric and plastic cables. Manufactured from brass and encapsulated with a non-corrosive polyester outer body, offering complete protection in the most hostile of environments. Seals on cable outer sheath, to IP68 if fitted with a sealing gasket.

Material Brass / Glass Reinforced Polyester / PBT
IP Ratings IP66/67/68
Standard CENELEC / ATEX Category 2 & 3, Ex e II GD, IIC Zones 1, 2, 21 & 22 EExe IIC DIP A21

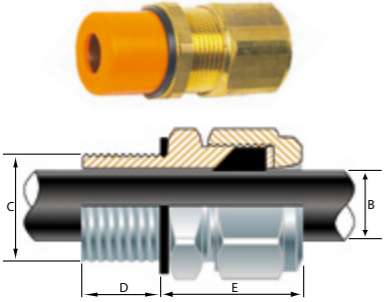


Gland Size	Entry Thread		Cable Details		Max E	Gland Code	LSF Kit Code
	Metric C	Min D	Min B	Max B			
00 - M20ss	M20 x 1.5	15	3.0	8.0	42.0	054500	GPGRIP00LS
0 - M20s	M20 x 1.5	15	8.0	12.0	42.0	0545-0	GPGRIP0LS
1 - M20	M20 x 1.5	15	11.0	15.5	46.0	054501	GPGRIP1LS
2 - M25	M25 x 1.5	15	15.0	20.5	51.0	054502	GPGRIP2LS
3 - M32	M32 x 1.5	15	20.0	26.5	60.0	054503	GPGRIP3LS
4 - M40	M40 x 1.5	20	26.0	34.5	65.0	054504	GPGRIP4LS
5 - M50	M50 x 1.5	20	34.0	44.5	75.0	054505	GPGRIP5LS
6 - M63	M63 x 1.5	20	44.0	57.0	107.0	054506	GPGRIP6LS
7 - M75	M75 x 1.5	20	56.0	68.0	107.0	054507	GPGRIP7LS

Note: Gland kits are complete with two terminations up to and including M32, M40 and above are single. Kits contain gland & brass lock nut.



CCG A2F EExde IIC Compression Gland



The **A2F Compression Gland** is designed for use with unarmoured elastometric and plastic cables in hazardous areas where it is necessary to provide a flameproof / increased safety EExde IIC seal on the outer sheath. Fitted with specially formulated elastomeric displacement seal, giving superior cable retention, explosion protection and IP rating. Seals on the cable sheath, to IP68 if fitted with a sealing gasket.

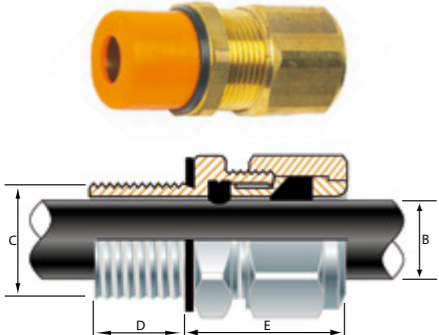
Material Standard Brass / Brass Nickel Plated
IP Ratings IP66/67/68
CENELEC / ATEX Category 2 & 3, Ex de II GD, IIC
Zones 1, 2, 21 & 22 EExde IIC DIP A21



Gland Size	Entry Thread		Cable Details		Max E	Gland Code	Kit Code	LSF Kit Code
	Metric C	Min D	Min B	Max B				
16 - M16	M16 x 1.5	15	3.0	8.0	25.0	054116A-UN	GPA2F16-UN	GPA2EX16LS-UN
00 - M20ss	M20 x 1.5	15	3.0	8.0	25.0	054100A-UN	GPA2F00-UN	GPA2EX00LS-UN
0 - M20s	M20 x 1.5	15	7.0	11.0	25.0	0541-0A-UN	GPA2F0-UN	GPA2EX0LS-UN
1 - M20	M20 x 1.5	15	11.0	15.5	30.0	054101A-UN	GPA2F1-UN	GPA2EX1LS-UN
2 - M25	M25 x 1.5	15	15.0	20.5	25.0	054102A-UN	GPA2F2-UN	GPA2EX2LS-UN
3 - M32	M32 x 1.5	15	20.0	26.5	30.0	054103A-UN	GPA2F3-UN	GPA2EX3LS-UN
4 - M40	M40 x 1.5	20	26.0	34.5	38.0	054104A-UN	GPA2F4-UN	GPA2EX4LS-UN
5 - M50	M50 x 1.5	20	34.0	44.5	43.0	054105A-UN	GPA2F5-UN	GPA2EX5LS-UN
6 - M63	M63 x 1.5	20	44.0	57.0	50.0	054106A-UN	GPA2F6-UN	GPA2EX6LS-UN
7 - M75	M75 x 1.5	20	56.0	68.0	54.0	054107A-UN	GPA2F7-UN	GPA2EX7LS-UN
8 - M80	M80 x 2.0	20	65.0	74.0	68.0	054108A-UN	GPA2F8-UN	
9 - M90	M90 x 2.0	20	73.0	82.0	70.0	054109A-UN	GPA2F9-UN	
10 - M100	M100x2.0	20	81.0	92.0	70.0	054110A-UN		

Note: Gland kits are complete with two terminations up to and including M32, M40 and above are single. Kits contain gland, brass lock nut, sealing washer & PVC or LSF shroud. For Nickel plated brass please remove the -UN from the code e.g. 054101A, GPA2F1, GPA2F1LS

CCG A2EX EExde IIC Compression Gland



The **A2EX Compression Gland** is designed for use with unarmoured elastometric and plastic cables in hazardous areas where it is necessary to provide a flameproof / increased safety EExde IIC seal on the outer sheath. Fitted with two specially formulated elastomeric seals. Inner seals on the cable sheath. Harder outer seal grips the cable, giving superior cable retention and IP rating. Seals on the cable sheath, to IP68 if fitted with a sealing gasket.

Material Standard Brass / Brass Nickel Plated
IP Ratings IP66/67/68
CENELEC / ATEX Category 2 & 3, Ex de II GD, IIC
Zones 1, 2, 21 & 22 EExde IIC DIP A21

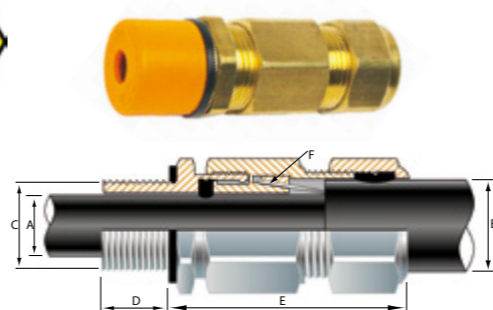


Gland Size	Entry Thread		Cable Details		Max E	Gland Code	Kit Code	LSF Kit Code
	Metric C	Min D	Min B	Max B				
16 - M16	M16 x 1.5	15	3.0	8.0	35.0	053616A-UN	GPA2EX16-UN	GPA2EX16LS-UN
00 - M20ss	M20 x 1.5	15	3.0	8.0	35.0	053600A-UN	GPA2EX00-UN	GPA2EX00LS-UN
0 - M20s	M20 x 1.5	15	7.0	12.0	35.0	0536-0A-UN	GPA2EX0-UN	GPA2EX0LS-UN
1 - M20	M20 x 1.5	15	9.0	15.5	38.0	053601A-UN	GPA2EX1-UN	GPA2EX1LS-UN
2 - M25	M25 x 1.5	15	14.0	20.5	42.0	053602A-UN	GPA2EX2-UN	GPA2EX2LS-UN
3 - M32	M32 x 1.5	15	19.0	26.5	53.0	053603A-UN	GPA2EX3-UN	GPA2EX3LS-UN
4 - M40	M40 x 1.5	20	26.0	34.5	63.0	053604A-UN	GPA2EX4-UN	GPA2EX4LS-UN
5 - M50	M50 x 1.5	20	34.0	44.5	72.0	053605A-UN	GPA2EX5-UN	GPA2EX5LS-UN
6 - M63	M63 x 1.5	20	44.0	57.0	96.0	053606A-UN	GPA2EX6-UN	GPA2EX6LS-UN
7 - M75	M75 x 1.5	20	56.0	68.0	110.0	053607A-UN	GPA2EX7-UN	GPA2EX7LS-UN

Note: Gland kits are complete with two terminations up to and including M32, M40 and above are single. Kits contain gland, brass lock nut, sealing washer & PVC or LSF shroud. For Nickel plated brass please remove the -UN from the code e.g. 053601A, GPA2EX1, GPA2EX1LS



CCG E1EX EExde IIC Cable Gland



The **E1EX Gland** is designed with the MAC Multi Armour Captive Cone, providing an armour clamp and earth bond for Steel wire, Braid and Tape armoured cable. Designed for hazardous area EExde IIC applications suitable for both indoor & outdoor. Patented disconnect system that allows inspection of armour clamp and inner seal after assembly. Seals on the cable sheath, to IP68 if fitted with a sealing gasket.

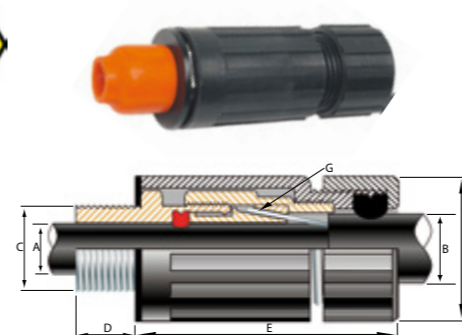
Material Standard Brass / Brass Nickel Plated / Stain Steel
IP Ratings IP66/67/68
CENELEC / ATEX Category 2 & 3, Ex de II GD, IIC
Zones 1, 2, 21 & 22 EExde IIC DIP A21



Gland Size	Entry Thread		Cable Details				Armour Dia		Max E	Gland Code	Kit Code	LSF Kit Code
	Metric C	Min D	Min A	Max A	Min B	Max B	Min F	Max F				
16 - M16	M16 x 1.5	15	3.0	8.0	8.0	13.5	0.2	1.25	53.0	052316A-UN	GPE1EX16-UN	GP E1EX16LS-UN
00 - M20ss	M20 x 1.5	15	3.0	8.0	8.0	13.5	0.2	1.25	53.0	052300A-UN	GPE1EX00-UN	GPE1EX00LS-UN
0 - M20s	M20 x 1.5	15	7.0	12.0	11.5	16.0	0.2	1.25	53.0	0523-0A-UN	GPE1EX0-UN	GPE1EX0LS-UN
1 - M20	M20 x 1.5	15	9.0	15.5	14.5	21.0	0.2	1.25	56.0	052301A-UN	GPE1EX1-UN	GPE1EX1LS-UN
2 - M25	M25 x 1.5	15	14.0	20.5	20.5	27.0	0.2	1.6	60.0	052302A-UN	GPE1EX2-UN	GPE1EX2LS-UN
3 - M32	M32 x 1.5	15	19.0	26.5	26.5	33.5	0.2	2.0	66.0	052303A-UN	GPE1EX3-UN	GPE1EX3LS-UN
4 - M40	M40 x 1.5	20	26.0	34.5	33.0	43.0	0.3	2.0	78.0	052304A-UN	GPE1EX4-UN	GPE1EX4LS-UN
5 - M50	M50 x 1.5	20	34.0	44.5	42.5	52.5	0.4	2.5	87.0	052305A-UN	GPE1EX5-UN	GPE1EX5LS-UN
6 - M63	M63 x 1.5	20	44.0	57.0	52.5	65.5	0.4	2.5	110.0	052306A-UN	GPE1EX6-UN	GPE1EX6LS-UN
7 - M75	M75 x 1.5	20	56.0	68.0	65.5	78.0	0.4	3.0	118.0	052307A-UN	GPE1EX7-UN	GPE1EX7LS-UN
8 - M80	M80 x 2.0	20	68.0	74.0	78.0	82.0	2.5	3.0	175.0	052308A-UN	GPE1EX8-UN	
9 - M90	M90 x 2.0	20	74.0	82.0	82.0	91.0	3.0	3.5	184.0	052309A-UN	GPE1EX9-UN	

Note: Gland kits are complete with two terminations up to and including M32, M40 and above are single. Kits contain gland, brass lock nut, brass earth tag, sealing washer & PVC or LSF shroud. For Nickel plated brass please remove the -UN from the code e.g. 052301A, GPE1EX1, GPE1EX1LS

CCG E1EX EExde IIC CORROSION GUARD Cable Gland



The **EX Corrosion Guard Gland** is designed with the MAC Multi Armour Captive Cone, providing an armour clamp and earth bond for Steel wire, Braid and Tape armoured cable. Designed for hazardous area EExde IIC applications suitable for both indoor & outdoor. The screw-on Corrosion Guard is manufactured from non-corrosive material to protect the wire armour and metal parts of the gland. Seals on the cable sheath to IP68.

Material Standard Brass / Glass Reinforced Polyester Compound
IP Ratings IP66/67/68
CENELEC / ATEX Category 2 & 3, Ex de II GD, IIC
Zones 1, 2, 21 & 22 EExde IIC DIP A21



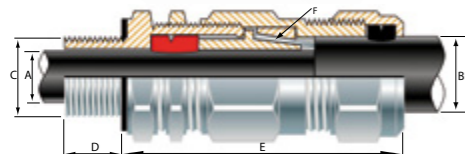
Gland Size	Entry Thread		Cable Details				Armour Dia		Max E	Max Dia F	Gland Code	LSF Kit Code
	Metric C	Min D	Min A	Max A	Min B	Max B	Min G	Max G				
16 - M16	M16 x 1.5	15	3.0	8.0	8.0	13.5	0.2	1.25	62.0	33.0	054716A	GPEXCOR16
00 - M20ss	M20 x 1.5	15	3.0	8.0	8.0	13.5	0.2	1.25	62.0	33.0	054700A	GPEXCOR00
0 - M20s	M20 x 1.5	15	7.0	12.0	11.5	16.0	0.2	1.25	62.0	33.0	0547-0A	GPEXCOR0
1 - M20	M20 x 1.5	15	9.0	15.5	14.5	21.0	0.2	1.25	75.0	36.0	054701A	GPEXCOR1
2 - M25	M25 x 1.5	15	14.0	20.5	20.5	27.0	0.2	1.6	90.0	46.0	054702A	GPEXCOR2
3 - M32	M32 x 1.5	15	19.0	26.5	26.5	33.5	0.2	2.0	94.0	53.0	054703A	GPEXCOR3
4 - M40	M40 x 1.5	20	26.0	34.5	33.0	43.0	0.3	2.0	105.0	68.0	054704A	GPEXCOR4
5 - M50	M50 x 1.5	20	34.0	44.5	42.5	52.5	0.4	2.5	125.0	84.0	054705A	GPEXCOR5
6 - M63	M63 x 1.5	20	44.0	57.0	52.5	65.5	0.4	2.5	152.0	110.0	054706A	GPEXCOR6
7 - M75	M75 x 1.5	20	56.0	68.0	65.5	78.0	0.4	3.0	172.0	124.0	054707A	GPEXCOR7

Note: Gland kits are complete with two terminations up to and including M32, M40 and above are single. Kits contain gland, brass lock nut, brass earth tag, sealing washer & LSF Corrosion Guard shroud.

CCG ARMORTEX EExd I EExd IIC Cable Gland



The **Armortex Gland** is designed with the MAC Multi Armour Captive Cone, providing an armour clamp and earth bond for Steel wire, Braid, Tape & Pliable wire armoured cable. Designed for hazardous area EExde group I / IIC applications suitable for both indoor & outdoor. Seals on both inner and outer sheaths to IP66/67/68. Extra long captive explosion proof seal ensures built in safety. Gland can be used on Exd enclosures greater than 2 litres volume.



Material Brass / Brass Nickel Plated
IP Ratings IP66/67/68
Standard CENELEC / ATEX Zones 1, 2, 21 & 22
 EExde I/IIC 2GD EExd I M2, Exe I/IIC



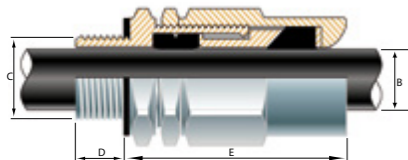
Gland Size	Entry Thread		Cable Details			Armour Dia		Max E	Gland Code
	Metric C	Min D	Min A	Max A	Max B	Min F	Max F		
16 - M16	M16 x 1.5	15	3.0	8.0	13.5	0.2	1.25	73	052216A-UN
00 - M20ss	M20 x 1.5	15	3.0	8.0	13.5	0.2	1.25	73	052200A-UN
0 - M20s	M20 x 1.5	15	8.0	11.5	16.0	0.2	1.25	73	0522-0A-UN
1 - M20	M20 x 1.5	15	11.5	14.0	19.0	0.2	1.25	78	052201A-UN
2 - M25	M25 x 1.5	15	14.0	20.5	26.5	0.2	1.6	85	052202A-UN
3 - M32	M32 x 1.5	15	20.0	26.5	33.0	0.2	2.0	95	052203A-UN
4 - M40	M40 x 1.5	20	26.5	32.5	40.5	0.3	2.0	105	052204A-UN
5s - M50	M50 x 1.5	20	32.5	38.0	46.0	0.4	2.5	108	052255A-UN
5 - M50	M50 x 1.5	20	38.0	44.5	52.0	0.4	2.5	108	052205A-UN
6s - M63	M63 x 1.5	20	44.5	50.0	60.0	0.4	2.5	145	052265A-UN
6 - M63	M63 x 1.5	20	50.0	56.0	67.0	0.4	2.5	145	052206A-UN
7 - M75	M75 x 1.5	20	56.0	68.0	78.0	0.4	3.0	155	052207A-UN

Note: For Nickel plated brass please remove the -UN from the code e.g 052201A

CCG FLP-TR EExd I EExd IIC Cable Gland



The **FLP-TR Compression Gland** is designed for use with unarmoured elastomeric and plastic cables where it is necessary to provide a flameproof seal. Fitted with two specially formulated elastomeric seals. Inner seals on the cable sheath. Harder outer seal grips the cable, giving superior cable retention and IP rating. Seals on the cable sheath, to IP68 if fitted with a sealing gasket.



Material Brass / Brass Nickel Plated
IP Ratings IP66/67/68
Standard CENELEC / ATEX Zones 1, 2, 21 & 22
 EExde I/IIC 2GD EExd I M2, Exe I/IIC



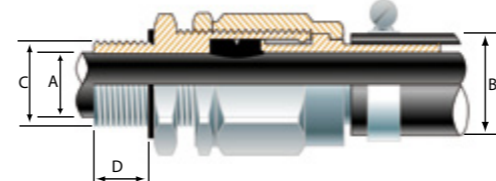
Gland Size	Entry Thread		Cable Details		Max E	Gland Code
	Metric C	Min D	Min B	Max B		
16 - M16	M16 x 1.5	15	3.5	8.5	57	052416A
00 - M20ss	M20 x 1.5	15	3.5	8.5	57	052400A
0 - M20s	M20 x 1.5	15	8.0	11.5	57	0524-0A
1 - M20	M20 x 1.5	15	11.5	14.0	59	052401A
2 - M25	M25 x 1.5	15	14.0	20.5	71	052402A
3 - M32	M32 x 1.5	15	20.0	26.5	87	052403A
4 - M40	M40 x 1.5	20	26.5	32.5	96	052404A
5s - M50	M50 x 1.5	20	32.5	38.0	112	052455A
5 - M50	M50 x 1.5	20	38.0	44.5	112	052405A
6s - M63	M63 x 1.5	20	44.5	50.0	124	052465A
6 - M63	M63 x 1.5	20	50.0	56.0	124	052406A
7 - M75	M75 x 1.5	20	56.0	65.0	165	052407A

Note: For un-plated brass please add -UN to the code e.g 052401A-UN

CCG FLP HOSE EExd I EExd IIC Cable Gland



The **FLP-HOSE Compression Gland** is designed for use with unarmoured elastomeric and plastic cables where it is necessary to provide a flameproof seal. The male spigot allows protective hose to be secured at the back of the gland. Seals on the outer sheath of the cable, to IP66/67/68 when fitted with sealing gasket provided.



Material Brass / Brass Nickel Plated
IP Ratings IP66/67/68
Standard CENELEC / ATEX Zones 1, 2, 21 & 22
 EExde I/IIC 2GD EExd I M2, Exe I/IIC



Gland Size	Entry Thread		Cable Details		To Suit Hose		Gland Code
	Metric C	Min D	Min A	Max A	NPT B	Metric B	
16 - M16	M16 x 1.5	15	3.5	8.5	1/2	13	052716A
00 - M20ss	M20 x 1.5	15	3.5	8.5	1/2	13	052700A
0 - M20s	M20 x 1.5	15	8.0	11.5	1/2	13	0527-0A
1 - M20	M20 x 1.5	15	11.5	14.0	3/4	19	052701A
2 - M25	M25 x 1.5	15	14.0	20.5	1	25	052702A
3 - M32	M32 x 1.5	15	20.5	26.5	1 1/4	32	052703A
4 - M40	M40 x 1.5	20	26.5	32.5	1 1/2	38	052704A
5s - M50	M50 x 1.5	20	32.5	38.0	1 3/4	45	052755A
5 - M50	M50 x 1.5	20	38.0	44.5	2	50	052705A
6s - M63	M63 x 1.5	20	44.5	50.0	2 1/4	57	052765A
6 - M63	M63 x 1.5	20	50.0	56.0	2 1/2	63	052706A
7 - M75	M75 x 1.5	20	56.0	68.0	3	76	052707A

Note: For un-plated brass please add -UN to the code e.g 052701A-UN

Spigot HAS IM2 Ex d I/II 2G Ex d IIB Adaptor/Reducer

The HAS Type Spigot Adaptor/Reducers are intended for mounting to a flameproof enclosure without compromising the explosion protection provided by the enclosure, in accordance with relevant codes of practice. The enclosure has minimum male spigot bore length of 12.5mm. The Adaptor/Reducers are designed to convert the aperture of the associated enclosure into a metric female thread form. The Adaptor consists of an elliptical metallic plate that has a female metric thread form at one end for the connection of Group 1 certified cable glands, at the other end there is a turned cylindrical spigot for insertion into the associated equipment spigot bore. The elliptical portion of the Adaptor has two, counter bored fixing holes for use with cap head screws to secure the Adaptor to the enclosure. Armortex, FLP, FLP-TR & FLP Hose range of cable glands can be used in conjunction with the HAS Adaptor/Reducers.



Spigot Code	Dimension 'A' Spigot Size	Metric Thread Sizes Available ^{*:}						Fixing Size
		M20	M25	M32	M40	M50	M63	
HAS0 / 19.05 / *	19.05	Y	-	-	-	-	-	M6
HAS1 / 25.4 / *	25.4	Y	Y	Y	-	-	-	M6
HAS2 / 31.75 / *	31.75	Y	Y	Y	-	-	-	M8
HAS3 / 38.1 / *	38.1	Y	Y	Y	Y	-	-	M8
HAS4 / 50.8 / *	50.8	Y	Y	Y	Y	Y	-	M10
HAS5 / 63.5 / *	63.5	Y	Y	Y	Y	Y	Y	M10

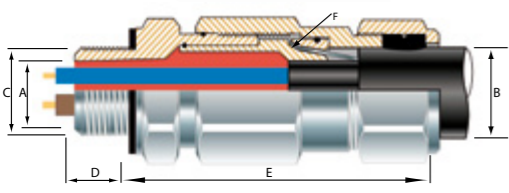
Note: * is replaced by the required thread size: e.g. HAS1 / 25.4 / M32

The HAS Spigot Adaptors are available without thread entries, thus becoming blanking devices, the thread size ^{*:} is just omitted from the part code. e.g. HAS1 / 25.4

CCG BARRIERTEX-A Exd I / IIC ExtD Cable Gland



The BarrierTex-A flameproof Exd I/IIC ExtD Barrier Gland is designed for Steel wire, Braid & Tape armoured cables. It provides a flameproof compound barrier seal over the inner cores of the cable, an outer IP seal over the outer sheath of the cable and an armour clamp by means of a cone and ring.



Material
IP Ratings
Standard
Special Conditions
for safe use

Brass / Brass Nickel Plated
IP66/67/68
EExd I/IIC, IM2 / II 2 GD Zone 1, 2, 21 and 22
Gland shall not be used where the temperature at point of mounting is below -20 or above 80



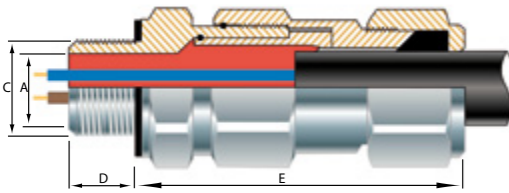
Gland Size	Entry Thread		Cable Details			Dia Over-Core Max	No. of Cores	Armour Dia		Max E	Gland Code
	Metric C	Min D	Min A	Min B	Max B			Min F	Max F		
00 - M20ss	M20 x 1.5	15	11.8	8.0	13.5	9	6	0.2	1.25	82	052500A-UN
0 - M20s	M20 x 1.5	15	11.8	11.5	16.0	9	6	0.2	1.25	85	0525-0A-UN
1 - M20	M20 x 1.5	15	14.0	12.5	21.0	11	10	0.2	1.25	85	052501A-UN
2 - M25	M25 x 1.5	15	18.5	18.0	27.0	16	20	0.2	1.6	100	052502A-UN
3 - M32	M32 x 1.5	15	26.5	23.0	34.0	22	40	0.2	2.0	107	052503A-UN
4 - M40	M40 x 1.5	20	33.5	28.0	40.5	27	60	0.3	2.0	116	052504A-UN
5 - M50	M50 x 1.5	20	44.5	44.4	53.1	37	80	0.4	2.5	123	052505A-UN
6 - M63	M63 x 1.5	20	55.5	54.6	65.9	48	100	0.4	2.5	136	052506A-UN

Note: For Nickel plated brass please remove the -UN from the code e.g 052501A

CCG BARRIERTEX-F Exd I / IIC ExtD Cable Gland



The BarrierTex-F flameproof Exd I/IIC ExtD Barrier Gland is designed for Un-armoured cables. It provides a flameproof compound barrier seal over the inner cores of the cable, an outer IP68 Gripper Seal.



Material
IP Ratings
Standard
Special Conditions
for safe use

Brass / Brass Nickel Plated
IP66/67/68
EExd I/IIC, IM2 / II 2 GD Zone 1, 2, 21 and 22
Gland shall not be used where the temperature at point of mounting is below -20 or above 80



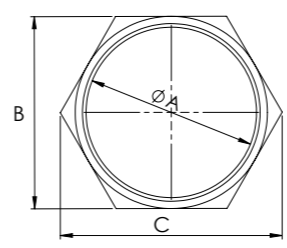
Gland Size	Entry Thread		Cable Details			Dia Over-Core Max	No. of Cores	Max E	Gland Code
	Metric C	Min D	Min A	Min B	Max B				
00 - M20ss	M20 x 1.5	15	11.8	5.0	8.0	8	6	72	052600A-UN
0 - M20s	M20 x 1.5	15	11.8	8.0	11.0	9	6	72	0526-0A-UN
1 - M20	M20 x 1.5	15	14.0	11.0	15.5	11	10	78	052601A-UN
2 - M25	M25 x 1.5	15	19.5	15.0	20.5	16	20	80	052602A-UN
3 - M32	M32 x 1.5	15	26.5	20.0	26.5	22	40	82	052603A-UN
4 - M40	M40 x 1.5	15	33.5	26.0	34.5	27	60	95	052604A-UN
5s - M50	M50 x 1.5	22	45.0	32.5	38.0	35	70	100	052655A-UN
5 - M50	M50 x 1.5	22	45.0	38.0	44.5	37	80	100	052605A-UN
6s - M63	M63 x 1.5	22	55.5	44.5	50.0	45	90	100	052656A-UN
6 - M63	M63 x 1.5	22	55.5	50.0	56.0	48	100	100	052606A-UN

Note: For Nickel plated brass please remove the -UN from the code e.g 052601A

Brass Locknuts



Size	Dimensions			Min Thickness	Bag QTY	Brass Code	Nickel Plated Code
	A	B	C				
M16	M16 x 1.5	19.0	22.0	3.5	100	UBLN16	BLN16
M20	M20 x 1.5	24.0	27.5	3.5	100	UBLN1	BLN1
M25	M25 x 1.5	33.0	38.0	4.0	100	UBLN2	BLN2
M32	M32 x 1.5	40.0	45.0	4.0	100	UBLN3	BLN3
M40	M40 x 1.5	49.0	56.0	5.0	50	UBLN4	BLN4
M50	M50 x 1.5	60.0	69.0	5.0	25	UBLN5	BLN5
M63	M63 x 1.5	74.0	82.0	6.0	25	UBLN6	BLN6
M75	M75 x 1.5	86.0	95.5	6.0	10	UBLN7	BLN7

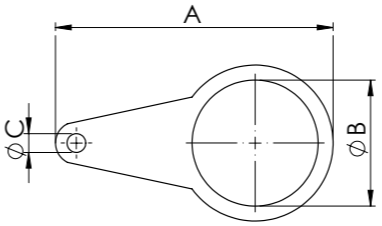


Note: Available in Stainless Steel.

Brass Earth Tags



Size	Dimensions			Min Thickness	Bag QTY	Brass Code	Nickel Plated Code
	A	B	C				
M16	49.3	25.4	M6	1.5	100	ET16	NPET16
M20	53.4	27.0	M6	1.5	100	ET1	NPET1
M25	59.4	35.0	M6	1.5	100	ET2	NPET2
M32	77.0	45.2	M12	1.5	100	ET3	NPET3
M40	88.7	53.7	M13	1.5	50	ET4	NPET4
M50	111.0	65.2	M13	1.5	25	ET5	NPET5
M63	128.6	82.6	M13	1.5	25	ET6	NPET6
M75	141.0	95.4	M13	1.5	10	ET7	NPET7



Note: Available in Stainless Steel.

Polypropylene Sealing Washers



Size	Code	Nom Dia	Bag QTY
16 - M16	805516	23.5	100
1 - M20	805520	27.0	100
2 - M25	805525	35.0	100
3 - M32	805532	41.5	100
4 - M40	805540	51.0	50
5 - M50	805550	65.0	25
6 - M63	805563	75.0	25
7 - M75	805575	95.0	10

Nylon Sealing Washers



Size	Code	Nom Dia	Bag QTY
16 - M16	NW16	26.0	100
1 - M20	NW20	35.0	100
2 - M25	NW25	36.5	100
3 - M32	NW32	43.0	100
4 - M40	NW40	51.0	50
5 - M50	NW50	62.0	25
6 - M63	NW63	78.0	25
7 - M75	NW75	89.0	10

Fibre Sealing Washers



Size	Code	Nom Dia	Bag QTY
16 - M16	FW16	26.0	100
0 - M20s	FW20S	29.0	100
1 - M20L	FW20L	35.5	100
2 - M25	FW25	35.0	100
3 - M32	FW32	42.5	50
4 - M40	FW40	62.0	50
5 - M50	FW50	52.5	25
6 - M63	FW63	76.5	25
7 - M75	FW75	95.0	10

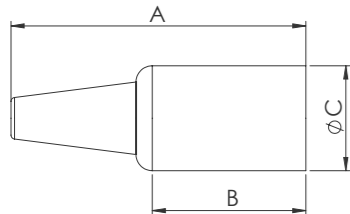
Serrated Washer BZP



Size	Code	Nom Dia	Bag QTY
16 - M16	M16WSER	25.5	100
1 - M20	M20WSER	32.0	100
2 - M25	M25WSER	38.0	100
3 - M32	M32WSER	49.0	50
4 - M40	M40WSER	59.5	50
5 - M50	M50WSER	72.0	25
6 - M63	M63WSER	87.0	25
7 - M75	M75WSER	102.5	10

Note: Standard stock Steel BZP, also available in 316 Stainless Steel.

Cable Gland Shrouds



Size	Length A	Parallel B	Internal ID C	Box QTY	PVC Code	Low Smoke Code
0 - M20s	85	40	24	800	SR0	SR0LS
1 - M20	110	55	30	625	SF1	SF1LS
2 - M25	120	60	40	500	SF2	SF2LS
3 - M32	150	60	45	300	SF3	SF3LS
4 - M40	145	60	53	300	SF4	SF4LS
5 - M50	170	80	70	250	SF5	SF5LS
6 - M63	220	80	90	100	SF6	SF6LS
7 - M75	240	100	103	100	SF7	SF7LS



Male Brass Bush



Size	Code	Cross Flats	Bag QTY
1 - M20	MBBM20	21.0	50
2 - M25	MBBM25	27.0	25
3 - M32	MBBM32	34.0	20
4 - M40	MBBM40	45.0	10
5 - M50	MBBM50	54.0	10
6 - M63	MBBM63	68.0	5
7 - M75	MBBM75	80.0	1

Gland Shrouds - LSF



Size	Code	Bag QTY
0 - M20s	SSIO20S	50
1 - M20	SSIO20	50
2 - M25	SSIO25	25
3 - M32	SSIO32	25
4 - M40	SSIO40	10
5 - M50	SSIO50	10
6 - M63	SSIO63	5
7 - M75	SSIO75	1

MICC - Cable Glands/ Pot Seals/ Pot Seals Earth Tails

RGM Glands are designed to be use on mineral insulated cables. They are precision manufactured from brass and are approved by BASEEFA in accordance with the EU directive 94/9EC-ATEX. The glands are compatible with zones 1 & 2 for EExd flameproof enclosures.

Material: Brass
Standard: ATEX Zones 1 & 2 EExd



Cable Size	Gland Code	Bag QTY
2L1.0	RGM2L1.0	10
2L1.5	RGM2L1.5	10
2L2.5	RGM2L2.5	10
2L4.0	RGM2L4.0	10
3L1.0	RGM3L1.0	10
3L1.5	RGM3L1.5	10
3L2.5	RGM3L2.5	10
4L1.0	RGM4L1.0	10
4L1.5	RGM4L1.5	10
4L2.5	RGM4L2.5	10



Cable Size	Pot Seal Code	Bag QTY
2L1.0	RPS2L1.0	10
2L1.5	RPS2L1.5	10
2L2.5	RPS2L2.5	10
2L4.0	RPS2L4.0	10
3L1.0	RPS3L1.0	10
3L1.5	RPS3L1.5	10
3L2.5	RPS3L2.5	10
4L1.0	RPS4L1.0	10
4L1.5	RPS4L1.5	10
4L2.5	RPS4L2.5	10



Cable Size	Pot Seal & Earth Tail Code	Bag QTY
2L1.0	RPSL2L1.0	10
2L1.5	RPSL2L1.5	10
2L2.5	RPSL2L2.5	10
2L4.0	RPSL2L4.0	10
3L1.0	RPSL3L1.0	10
3L1.5	RPSL3L1.5	10
3L2.5	RPSL3L2.5	10
4L1.0	RPSL4L1.0	10
4L1.5	RPSL4L1.5	10
4L2.5	RPSL4L2.5	10



Fire Cable Clips & Saddles



Fire Cable Clips & Saddles are designed for use on mineral insulated or soft skin fire cables. They are manufactured from copper and are available in bare copper form or LSZH (Low Smoke Zero Halogen) powder coated. Tested for the requirements in London Underground Ltd Standard Number 2-01001-002 Fire safety performance of materials & Vertical burn test UL 94 V0, V1 & V2.

Material Colour Copper / LSZH (Low Smoke Zero Halogen) Coated Black, Orange, Red & White (Special colours available to order) Reach Compliant / LSZH

Clip Size	One Hole 'P' Clips		Cable Diameter Range mm		Bag QTY
	Bare Clip	Coated Clip	Min	Max	
20	RC20	RCHL20	5.0	5.4	50
22	RC22	RCHL22	5.5	5.9	50
24	RC24	RCHL24	6.0	6.4	50
26	RC26	RCHL26	6.5	6.9	50
28	RC28	RCHL28	7.0	7.4	50
30	RC30	RCHL30	7.5	7.9	50
32	RC32	RCHL32	8.0	8.4	50
34	RC34	RCHL34	8.5	9.0	50
37	RC37	RCHL37	9.1	10.0	50
40	RC40	RCHL40	10.1	10.7	50
43	RC43	RCHL43	10.8	11.7	50
47	RC47	RCHL47	11.8	12.7	50
51	RC51	RCHL51	12.8	13.5	50

Clip Size	Two Hole 'Saddle' Clips		Cable Diameter Range mm		Bag QTY
	Bare Clip	Coated Clip	Min	Max	
202	RS202	RSFL202	4.7	5.2	50
222	RS222	RSFL222	5.3	5.7	50
242	RS242	RSFL242	5.8	6.2	50
272	RS272	RSFL272	6.3	6.9	50
302	RS302	RSFL302	7.0	7.7	50
342	RS342	RSFL342	7.8	9.0	50
382	RS382	RSFL382	9.1	9.7	50
422	RS422	RSFL422	9.8	10.7	50
462	RS462	RSFL462	10.8	11.8	50

Note: Please add the required colour to the end of the clip code eg. RCHL28R RSFL302R

Cable Sizing

Cable Size	'P' Clip Size		'Saddle' Size		Cable Size	'P' Clip Size		'Saddle' Size	
	MICC	FP200	MICC	FP200		MICC	FP200	MICC	FP200
2 core 1.0mm ²	26	32	272	302	2 core 2.5mm ²	32	37	342	382
3 core 1.0mm ²	28	32	302	302	3 core 2.5mm ²	34	40	342	382
4 core 1.0mm ²	30	32	342	342	4 core 2.5mm ²	37	43/47	342	422
2 core 1.5mm ²	28	32	302	302	2 core 4.0mm ²	37	43/47	422	422
3 core 1.5mm ²	30	32	342	342					
4 core 1.5mm ²	34	37	342	382					

Note: Sizing is meant as a guide only and all cable diameters should be checked before ordering.

MICC - Gland Shrouds



MICC Cable Gland Shrouds are available in four sizes M20, M25 M32 & M40 and are manufactured in three materials. PVC grade material, Low Smoke PVC material to UL94-V1 & Zero Halogen LSF silicone material.

Material: PVC / LS PVC / LSF Silicone

Size	PVC Code	Bag QTY	LS PVC Code	Bag QTY	LSF Code	Bag QTY
1 - M20	MI20*	100	MI20*LS	100	MI20*LST	100
2 - M25	MI25*	50	MI25*LS	50	MI25*LST	50
3 - M32	MI32*	20	MI32*LS	20	MI32*LST	20

Shrouds are available in the standard four colours:
* Indicate colour code: R= Red W= White O= Orange B= Black
Other colours can be made to order, please check with sales office for more details.

MICC - Accessories

MICC Conductor Sleeving is available in Black, Red and Green/Yellow. It is designed for use on mineral conductors and is available in two temperature specifications of maximum 105°C and Silicone maximum 150°C. Sold in 3 metre lengths.



Cable Size	Coil Length	Temperature Rating	
		105°C	150°C
1.0 / 1.5	3m	RZP1.5*	RZE1.5*
2.5	3m	RZP2.5*	RZE2.5*
4.0	3m	RZP4.0*	RZE4.0*
6.0	3m	RZP6.0*	RZE6.0*

RMX Sealing Compound is designed for a wide range of electrical applications and is used for filling cavities, making airtight and watertight joints. Manufactured from non oxidizing oil based compound. Suitable for continuous operation temperatures up to 150°C.



Cable Size	Pack Size
RMX1	100g

MICC - Tooling

Flexible Conduit - Polypropylene



Cable Size	Description
ZSJ	The Joystripper is used for stripping the cable sheath on popular cable sizes. Including 2L1 2L1.5 2L2.5 3L1 3L1.5 4L1 4L1.5
ZSJB	Replacement blades for Joystripper



Cable Size	Description
ZSU	The rotary stripper can be used on all cable sizes throughout the range.
ZSUB	Replacement blades for rotary stripper



Cable Size	Description
ZR	Ringing tool for cutting MICC cable neatly



Cable Size	Description
ZPM + size of seal	Pot wrench tool ensures quick accurate screwing of the brass pot and is used in conjunction with the appropriate RGM cable gland.



Cable Size	Description
ZRP	An easy fit ratchet Wrench tool for screwing on brass seal pots 20mm size



Cable Size	Description
ZDD + size of seal	This is a low cost tool having a life of approximately 100 operations. The tool locks on to position by three crimp indentations.



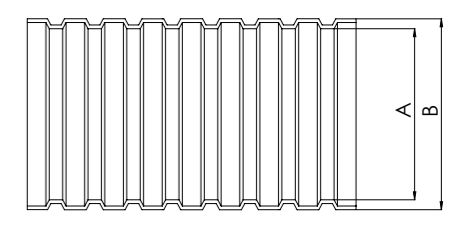
Cable Size	Description
ZDC20	Hand Crimper tool is a robust long life product that applies three point crimping action to the brass pot seal, securely locking the cap into position



Flexible Polypropylene Conduit is ideal for general use where limited mechanical protection is required. The flexible body facilitates easy installation with cornering and elbow applications. Material is self extinguishing, low smoke & toxicity & crush resistance to 350N.

Material Polypropylene
Operating Temp -5°C to +90°C
Standard IP44 Self extinguishing. Crush resistance to 350 N IMQ EA 889 NF - USE, French quality mark (N696)

Size	Conduit		Coil Length	Code
	A	B		
16mm	10	16	100m	PP16CP/100
20mm	14	20	100m	PP20CP/100
25mm	18	25	50m	PP25CP/50
32mm	26	32	50m	PP32CP/50



Straight Gland



Size	U Clamp Code	Bag QTY
16mm	PVF16	10
20mm	PVF20	10
25mm	PVF25	10
32mm	PVF32	10

U Clamp



Size	U Clamp Code	Bag QTY
16mm	UC16	100
20mm	UC20	100
25mm	UC25	100
32mm	UC32	100

Note: Other conduits are available including Nylon PA6, IP67, 90° glands and special colours.

Flexible Conduit Contractor Pack - Polypropylene



Size	Conduit		Coil Length	Code
	B	A		
20mm	14	20	10m	CON/POLY/20
25mm	18	25	10m	CON/POLY/25

Contractor Pack: Each contractor pack consist of 10 metres of conduit, 10 glands complete with lock nut.

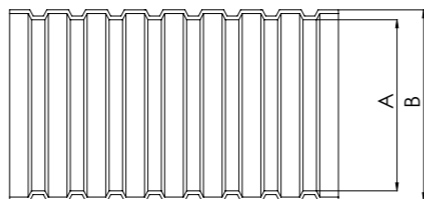
Flexible Galvanised Steel PVC Conduit



Flexible Galvanised Steel Conduit with PVC cover has good mechanical stability and flexibility. Designed for use in general wiring conditions and where light mechanical stress may occur. Crush resistance to 1500N.

Material Galvanised Steel, PVC Cover
Operating Temp -20°C to +80°C
Standard IP40 EN 50086 Galvanised to DIN 53210

Size	Conduit		Coil Lengths	Code
	A	B		
16mm	13	17	10M / 30M / 50M	FPCC16/*
20mm	17	21	10M / 30M / 50M	FPCC20/*
25mm	22	27	10M / 30M / 50M	FPCC25/*
32mm	28	34	10M / 30M	FPCC32/*
40mm	38	43	10M	FPCC40/*
50mm	48	55	10M	FPCC50/*



* = conduit length e.g FPCC20/50 50 metre coil of 20mm conduit

Size	Glands Male Fixed	Glands Male Swivel	Bag QTY
16mm	FCG16	SCG16	10
20mm	FCG20	SCG20	10
25mm	FCG25	SCG25	10
32mm	FCG32	SCG32	5
40mm	FCG40	SCG40	5
50mm	FCG50	SCG50	5



Contractor Pack - Galvanised Steel PVC Conduit



Flexible Galvanised Steel Conduit with PVC cover has good mechanical stability and flexibility. Designed for use in general wiring conditions and where light mechanical stress may occur. Crush resistance to 1500N.

Material Galvanised Steel, PVC Cover
Operating Temp -20°C to +80°C
Standard IP40 EN 50086 Galvanised to DIN 53210

Size	Conduit		Coil Lengths	Code
	A	B		
20mm	17	21	10M	CON/GALV/PVC/20
25mm	22	27	10M	CON/GALV/PVC/25

Contractor Pack: Each contractor pack consist of 10 metre of conduit, 10 swivel glands.

Conduit Accessories

Draw Wires - Plastic



Length	Code	Pack QTY
10m	PDW10	1
20m	PDW20	1
30m	PDW30	1

U Clamp



Size	U Clamp Code	Bag QTY
16mm	UC16*	10
20mm	UC20*	10
25mm	UC25*	10
32mm	UC32*	10

P Clips



Size	Code	Bag QTY
16mm	PC16	10
20mm	PC20	10
25mm	PC25	10
32mm	PC32	5
40mm	PC40	5
50mm	PC50	1

Metric-Metric Reducers & Adaptors EExde I/IC



Metric Reducers & Adaptors are designed to effectively reduce or adapt dissimilar thread forms or sizes. Manufactured from high quality brass, suitable for Zone 1 & 2 Hazardous area installations EExde Group I & II.

Material Brass / Brass Nickel Plated
IP Ratings IP66/67/68
Standard CENELEC / ATEX Category 2 & 3, Ex de I/II 2 GD, Ex d I M2 Zones 1, 2, 21 & 22 EEx de I/IC DIP

Thread		Male Thread Length	Reducer Code
Male	Female		
M20	M16	15	RM20M16E-UN
M25	M20	15	RM25M20E-UN
M32	M20	15	RM32M20E-UN
M32	M25	15	RM32M25E-UN
M40	M20	15	RM40M20E-UN
M40	M25	15	RM40M25E-UN
M40	M32	15	RM40M32E-UN
M50	M20	15	RM50M20E-UN
M50	M25	15	RM50M25E-UN
M50	M32	15	RM50M32E-UN
M50	M40	15	RM50M40E-UN
M63	M20	15	RM63M20E-UN
M63	M25	15	RM63M25E-UN
M63	M32	15	RM63M32E-UN
M63	M40	15	RM63M40E-UN
M63	M50	15	RM63M50E-UN
M75	M20	15	RM75M20E-UN
M75	M25	15	RM75M25E-UN
M75	M32	15	RM75M32E-UN
M75	M40	15	RM75M40E-UN
M75	M50	15	RM75M50E-UN
M75	M63	15	RM75M63E-UN

For Nickel plated brass please remove the -UN from the code e.g. RM20M16E



Material Brass / Brass Nickel Plated
IP Ratings IP66/67/68
Standard CENELEC / ATEX Category 2 & 3, Ex de I/II 2 GD, Ex d I M2 Zones 1, 2, 21 & 22 EEx de I/IC DIP

Thread		Male Thread Length	Adaptor Code
Male	Female		
M16	M20	15	AM16M20E-UN
M20	M25	15	AM20M25E-UN
M25	M32	15	AM25M32E-UN
M32	M40	15	AM32M40E-UN
M40	M50	15	AM40M50E-UN
M50	M63	15	AM50M63E-UN
M63	M75	15	AM63M75E-UN

For Nickel plated brass please remove the -UN from the code e.g. AM16M20E
 The above sizes are all stock items, other sizes are available on request.

PG-Metric Reducers & Adaptors EExde I/IC



PG Reducers & Adaptors are designed to convert PG threaded entries to Metric thread form. Manufactured from high quality brass, suitable for Zone 1 & 2 Hazardous area installations EExde Group I & II.

Material Brass / Brass Nickel Plated
IP Ratings IP66/67/68
Standard CENELEC / ATEX Category 2 & 3, Ex de I/II 2 GD, Ex d I M2 Zones 1, 2, 21 & 22 EEx de I/IC DIP

Thread		Male Thread Length	Reducer Code
Male	Female		
PG16	M20	15	RPG16M20E-UN
PG21	M20	15	RPG21M20E-UN
PG21	M25	15	RPG21M25E-UN
PG29	M20	15	RPG29M20E-UN
PG29	M25	15	RPG29M25E-UN
PG29	M32	15	RPG29M32E-UN
PG36	M20	15	RPG36M20E-UN
PG36	M25	15	RPG36M25E-UN
PG36	M32	15	RPG36M32E-UN
PG36	M40	15	RPG36M40E-UN
PG42	M20	15	RPG42M20E-UN
PG42	M25	15	RPG42M25E-UN
PG42	M32	15	RPG42M32E-UN
PG42	M40	15	RPG42M40E-UN
PG42	M50	15	RPG42M50E-UN
PG48	M32	15	RPG48M32E-UN
PG48	M40	15	RPG48M40E-UN
PG48	M50	15	RPG48M50E-UN

For Nickel plated brass please remove the -UN from the code e.g. RPG16M20E



Material Brass / Brass Nickel Plated
IP Ratings IP66/67/68
Standard CENELEC / ATEX Category 2 & 3, Ex de I/II 2 GD, Ex d I M2 Zones 1, 2, 21 & 22 EEx de I/IC DIP

Thread		Male Thread Length	Adaptor Code
Male	Female		
PG9	M20	15	APG9M20E-UN
PG11	M20	15	APG11M20E-UN
PG13.5	M20	15	APG13M20E-UN
PG13.5	M25	15	APG13M25E-UN
PG16	M25	15	APG16M25E-UN
PG21	M32	15	APG21M32E-UN
PG29	M40	15	APG29M40E-UN
PG36	M50	15	APG36M50E-UN
PG42	M63	15	APG42M63E-UN
PG48	M63	15	APG48M63E-UN

For Nickel plated brass please remove the -UN from the code e.g. APG9M20E
 The above sizes are all stock items, other sizes are available on request.

NPT-Metric Reducers & Adaptors EExde I/II



NPT Reducers & Adaptors are designed to convert NPT (National Pipe Taper) threaded entries to Metric thread form. Manufactured from high quality brass, suitable for Zone 1 & 2 Hazardous area installations EExde Group I & II.

Material Brass / Brass Nickel Plated
IP Ratings IP66
Standard CENELEC / ATEX Category 2 & 3, Ex de I/II 2 GD, Ex d I M2 Zones 1, 2, 21 & 22 EEx de I/II DIP

Thread		Male Thread Length	Reducer Code
Male	Female		
0.75 NPT	M20	15	RN075M20E-UN
1.00 NPT	M20	15	RN100M20E-UN
1.00 NPT	M25	15	RN100M25E-UN
1.25 NPT	M20	15	RN125M20E-UN
1.25 NPT	M25	15	RN125M25E-UN
1.25 NPT	M32	15	RN125M32E-UN
1.50 NPT	M20	15	RN150M20E-UN
1.50 NPT	M25	15	RN150M25E-UN
1.50 NPT	M32	15	RN150M32E-UN
1.50 NPT	M40	15	RN150M40E-UN

Thread		Male Thread Length	Adaptor Code
Male	Female		
0.50 NPT	M20	15	AN050M20E-UN
0.75 NPT	M25	15	AN075M25E-UN

For Nickel plated brass please remove the -UN from the code e.g. RN075M20E
 The above sizes are all stock items, other sizes are available on request.

ET & BSP Threads also available

Metric Stopping Plugs EExe & EExde I/II



EX Metric Stopping Plugs are available in three styles, brass Hex head Exd, brass Allen Key type EExde I/II and Nylon (PBT) EExe II certified. Sizes M16 to M75 are stocked in brass and M20 to M32 in Nylon (PBT).

Material Brass / Brass Nickel Plated / PBT (Polybutylene Terephthalate)
IP Ratings IP66/68
Standard - Hex Head ATEX Category 2 & 3, Ex de II 2 GD, IIC Zones 1, 2, 21 & 22 EEx de IIC
- Allen Key Type ATEX Category 2 & 3, Ex de I/II 2 GD, Ex d I M2 Zones 1, 2, 21 & 22 EEx de I/II DIP
- PBT Allen Key Type ATEX Category 2, Category 3, II 2 GD EEx e II Zones 1, 2, 21 & 22 EEx e IIC, DIP A21

Size	Brass Exd Hex Head	Brass EExde Allen Key Type	Nylon EExe Allen Key Type	Allen Key	Hex Head A/F
16 - M16	STPDH16-UN	353016-UN	352716	6	19
1 - M20	STPDH20-UN	353020-UN	352720	10	23
2 - M25	STPDH25-UN	353025-UN	352725	10	28
3 - M32	STPDH32-UN	353032-UN	352732	10	37
4 - M40	STPDH40-UN	353040-UN	352740	10	47
5 - M50	STPDH50-UN	353050-UN	352750	10	56
6 - M63	STPDH63-UN	353063-UN	352763	10	70
7 - M75	STPDH75-UN	353075-UN	352775	10	80

We are able to supply stoppers in many different thread forms including Imperial (ET), BSP & National Pipe Taper (NPT). Please contact the sales office for more information.

Metric-Metric Industrial Reducers & Adaptors



Industrial Metric Reducers & Adaptors are designed as a cost effective alternative to the Hazardous area range. This industrial range is kept in two styles, either brass nickel plated or nylon suitable for most applications.

Material Brass Nickel Plated / Nylon
IP Ratings IP66 if fitted with sealing washer

Thread		Brass Reducer Code	Min Male Thread Length	Nylon Reducer Code	Min Male Thread Length
Male	Female				
M16	M12	RM16M12S	7	RM20M12N	9
M20	M16	RM20M16S	7	RM20M16N	9
M25	M16	RM25M16S	7	RM25M16N	10
M25	M20	RM25M20S	7	RM25M20N	10
M32	M20	RM32M20S	10	RM32M20N	12
M32	M25	RM32M25S	10	RM32M25N	12
M40	M20	RM40M20S	10	RM40M20N	12
M40	M25	RM40M25S	10	RM40M25N	12
M40	M32	RM40M32S	10	RM40M32N	12
M50	M20	RM50M20S	12	RM50M20N	14
M50	M25	RM50M25S	12	RM50M25N	14
M50	M32	RM50M32S	12	RM50M32N	14
M50	M40	RM50M40S	12	RM50M40N	14
M63	M20	RM63M20S	12		
M63	M25	RM63M25S	12		
M63	M32	RM63M32S	12	RM63M32N	15
M63	M40	RM63M40S	12	RM63M40N	15
M63	M50	RM63M50S	12	RM63M50N	15
M75	M63	RM75M63S	12		



Material Brass Nickel Plated / Nylon
IP Ratings IP66 if fitted with sealing washer

Thread		Brass Adaptor Code	Min Male Thread Length	Nylon Adaptor Code	Min Male Thread Length
Male	Female				
M16	M20	AM16M20S	10	AM16M20N	9
M20	M25	AM20M25S	10	AM20M25N	9
M25	M32	AM25M32S	10	AM25M32N	9
M32	M40	AM32M40S	10	AM32M40N	12
M40	M50	AM40M50S	10	AM40M50N	12
M50	M63	AM50M63S	15	AM50M63N	14
M63	M75	AM63M75S	15		

The above sizes are stock items, other sizes are available on request.

PG-Metric Industrial Reducers & Adaptors



Industrial PG Reducers & Adaptors are designed as a cost effective alternative to the Hazardous area range. This industrial range is kept in two styles, either brass nickel plated or nylon suitable for most applications.

Material Brass Nickel Plated / Nylon
IP Ratings IP66 if fitted with sealing washer

Thread		Brass Reducer Code	Min Male Thread Length	Nylon Reducer Code	Min Male Thread Length
Male	Female				
PG16	M20	RPG16M20S	10	RPG16M20N	9
PG21	M20	RPG21M20S	10		
PG21	M25	RPG21M25S	10	RPG21M25N	11
PG29	M20	RPG29M20S	10		
PG29	M25	RPG29M25S	10		
PG29	M32	RPG29M32S	10	RPG29M32N	11
PG36	M25	RPG36M25S	10		
PG36	M32	RPG36M32S	10		
PG36	M40	RPG36M40S	10	RPG36M40N	12
PG42	M32	RPG42M32S	10		
PG42	M40	RPG42M40S	10	RPG42M40N	12
PG42	M50	RPG42M50S	10	RPG42M50N	12
PG48	M32	RPG48M32S	10		
PG48	M40	RPG48M40S	10		
PG48	M50	RPG48M50S	10	RPG48M50N	15



Material Brass Nickel Plated / Nylon
IP Ratings IP66 if fitted with sealing washer

Thread		Brass Adaptor Code	Min Male Thread Length	Nylon Adaptor Code	Min Male Thread Length
Male	Female				
PG9	M16	APG9M16S	10	APG9M16N	9
PG9	M20	APG9M20S	12	APG9M20N	9
PG11	M16	APG11M16S	12	APG11M16N	9
PG11	M20	APG11M20S	12	APG11M20N	9
PG13.5	M20	APG13M20S	12	APG13M20N	9
PG13.5	M25	APG13M25S	12	APG13M25N	9
PG16	M25	APG16M25S	12	APG16M25N	10
PG21	M32	APG21M32S	12	APG21M32N	11
PG29	M40	APG29M40S	12	APG29M40N	11
PG36	M50	APG36M50S	12	APG36M50N	11
PG42	M63	APG42M63S	12	APG42M63N	11

The above sizes are stock items, other sizes are available on request.

Industrial Metric Stopping Plugs



Industrial Metric Stoppers are designed as a cost effective alternative to the Hazardous area range. Manufactured from brass nickel plated suitable for most applications.

Material Brass Nickel Plated
IP Ratings IP66 if fitted with sealing washer

Standard Range

Size	Stopper Code	Min Male Thread Length	Bag QTY
M16	EMVS16	6.0	100
M20	EMVS20	6.5	100
M25	EMVS25	7.0	50
M32	EMVS32	8.0	50
M40	EMVS40	8.5	10
M50	EMVS50	9.0	10
M63	EMVS63	10.0	5

Long Thread Type

Stopper Code	Min Male Thread Length	Bag QTY
EMVS-L16	13.0	100
EMVS-L20	13.0	100
EMVS-L25	14.0	50
EMVS-L32	14.5	50
EMVS-L40	14.5	10
EMVS-L50	15.5	10
EMVS-L63	16.5	5

PG Stopping Plugs



Industrial Metric Stoppers are designed as a cost effective alternative to the Hazardous area range. Manufactured from brass nickel plated suitable for most applications.

Material Brass Nickel Plated
IP Ratings IP66 if fitted with sealing washer

Size	Stopper Code	Min Male Thread Length	Bag QTY
PG7	MV7	5	100
PG9	MV9	5	100
PG11	MV11	6	100
PG13.5	MV13	7	50
PG16	MV16	7	50
PG21	MV21	7	10
PG29	MV29	7	10
PG36	MV36	9	10
PG42	MV42	10	5
PG48	MV48	10	5

We are able to supply stoppers in many different thread forms including Imperial (ET), BSP & National Pipe Taper (NPT). Please contact the sales office for more information.

Copper Tube Lugs 600/1000V

Copper Tube Lugs 600/1000V

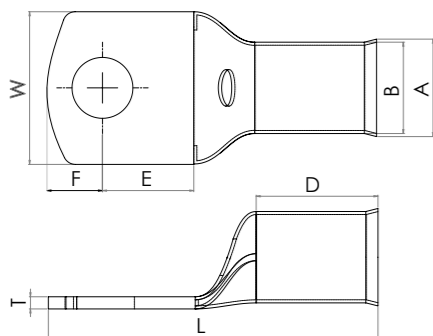


Copper Tube Terminals are manufactured from precision drawn tube to BS 2871, they are designed and manufactured to meet performance requirements of BS 45779 Part 1. All standard types in the range between 1.5mm to 240mm² have bell mouths to ensure easy entry for even flexible conductors. Copper terminals are supplied plated as standard to BS 1872 Part 2 for corrosion resistance. The standard electro tinned parts are suitable for use up to temperatures of 150°C, nickel plated lugs are available for high temperatures applications.

Copper Tube Terminals are manufactured from precision drawn tube to BS 2871, they are designed and manufactured to meet performance requirements of BS 45779 Part 1. All standard types in the range between 1.5mm to 240mm² have bell mouths to ensure easy entry for even flexible conductors. Copper terminals are supplied plated as standard to BS 1872 Part 2 for corrosion resistance. The standard electro tinned parts are suitable for use up to temperatures of 150°C, nickel plated lugs are available for high temperatures applications.

Material Standard Copper / Tin Plated BS2871

Material Standard Copper / Tin Plated BS2871



Size mm ²	Stud Hole	Lug Code	Bag QTY	A	B	W	E	F	D	L	T
1.5	3	1.5-3	100	3.6	1.9	5.5	5.0	3.0	7.5	17.0	1.4
	4	1.5-4		3.6	1.9	6.7	6.0	4.0	7.5	19.5	1.1
	5	1.5-5		3.6	1.9	7.7	6.5	4.5	7.5	20.4	0.9
2.5	4	2.5-4	100	3.9	2.4	8.0	5.0	4.0	6.0	19.0	1.4
	5	2.5-5		3.9	2.4	10.0	6.2	4.5	6.0	21.2	1.1
	6	2.5-6		3.9	2.4	10.0	6.5	5.5	6.0	21.0	1.0
4	4	4-4	100	4.7	3.0	10.0	6.0	5.0	8.0	21.0	1.7
	5	4-5		4.7	3.0	10.0	7.0	5.5	8.0	22.0	1.4
	6	4-6		4.7	3.0	10.0	7.0	6.0	8.0	23.5	1.3
6	4	6-4	100	6.0	4.1	9.5	6.0	4.0	8.5	21.5	2.0
	5	6-5		6.0	4.1	10.0	6.4	5.5	8.5	24.5	1.9
	6	6-6		6.0	4.1	11.0	6.5	5.5	8.5	24.5	1.7
	8	6-8		6.0	4.1	12.5	8.5	7.0	8.5	27.0	1.6
	10	6-10		6.0	4.1	12.5	9.3	7.7	8.5	29.0	0.9
10	5	10-5	100	6.6	4.7	10.8	5.6	5.2	8.0	26.0	1.7
	6	10-6		6.6	4.7	10.8	5.6	5.2	8.0	26.0	1.7
	8	10-8		6.6	4.7	13.5	8.0	7.0	9.5	29.5	1.2
	10	10-10		6.9	4.4	16.0	12.0	10.0	10.0	39.0	1.5
	12	10-12		6.9	4.4	18.0	12.0	10.0	10.0	39.0	1.2
16	6	16-6	100	7.5	5.5	10.8	8.8	6.2	9.5	30.0	2.0
	8	16-8		7.5	5.5	13.5	8.0	7.0	9.5	30.0	1.6
	10	16-10		7.5	5.5	15.0	10.9	9.6	9.5	35.5	1.5
	12	16-12		8.0	5.6	18.0	12.0	10.0	11.0	42.0	1.3
25	6	25-6	50	9.4	7.0	13.8	8.8	6.2	12.0	32.5	2.4
	8	25-8		9.4	7.0	13.8	8.0	7.0	12.0	32.5	2.4
	10	25-10		9.4	7.0	16.0	10.9	9.6	12.0	38.0	2.1
	12	25-12		9.4	7.0	18.0	10.5	10.0	12.0	38.0	1.9
35	6	35-6	50	10.6	8.2	15.3	8.8	6.2	14.0	35.0	2.4
	8	35-8		10.6	8.2	15.3	8.0	7.0	14.0	35.0	2.4
	10	35-10		10.6	8.2	15.3	10.9	9.6	14.0	40.5	2.4
	12	35-12		10.6	8.2	18.0	10.5	10.0	14.0	40.5	2.2
50	6	50-6	50	11.9	9.5	17.4	8.8	6.2	14.9	37.0	2.5
	8	50-8		11.9	9.5	17.4	8.0	7.0	14.9	37.0	2.5
	10	50-10		11.9	9.5	17.4	10.9	9.6	14.9	42.5	2.5
	12	50-12		11.9	9.5	17.4	10.5	10.0	14.9	42.5	2.5
70	6	70-6	25	14.5	11.5	20.9	8.8	6.2	17.0	40.5	3.0
	8	70-8		14.5	11.5	20.9	8.0	7.0	17.0	40.5	3.0
	10	70-10		14.5	11.5	20.9	10.9	9.6	17.0	46.0	3.0
	12	70-12		14.5	11.5	20.9	10.5	10.0	17.0	46.0	3.0
	14	70-14		14.5	11.5	20.9	13.0	13.0	17.0	50.0	3.0
	16	70-16		14.5	11.5	20.9	13.0	13.0	17.0	50.0	3.0

Size mm ²	Stud Hole	Lug Code	Bag QTY	A	B	W	E	F	D	L	T
95	8	95-8	25	16.7	13.5	24.3	10.9	9.6	19.0	49.5	3.2
	10	95-10		16.7	13.5	24.3	10.9	9.6	19.0	49.5	3.2
	12	95-12		16.7	13.5	24.3	10.5	10.0	19.0	49.5	3.2
	14	95-14		16.7	13.5	24.3	13.0	13.0	19.0	56.0	3.2
	16	95-16		16.7	13.5	24.3	13.0	13.0	19.0	56.0	3.2
120	10	120-10	25	19.0	15.0	27.3	14.4	9.6	20.0	55.5	4.0
	12	120-12		19.0	15.0	27.3	14.0	10.0	20.0	55.5	4.0
	14	120-14		19.0	15.0	27.3	13.2	10.8	20.0	55.5	4.0
	16	120-16		19.0	15.0	27.3	13.0	13.0	20.0	60.0	4.0
150	10	150-10	25	21.0	16.5	30.2	14.0	10.0	23.0	61.0	4.5
	12	150-12		21.0	16.5	30.2	14.0	10.0	23.0	61.0	4.5
	14	150-14		21.0	16.5	30.2	13.2	10.8	23.0	61.0	4.5
	16	150-16		21.0	16.5	30.2	13.0	13.0	23.0	65.0	4.5
185	10	185-10	10	23.0	18.5	33.3	15.5	9.2	29.0	66.5	4.5
	12	185-12		23.0	18.5	33.3	15.5	9.2	29.0	68.0	4.5
	14	185-14		23.0	18.5	33.3	15.5	9.2	29.0	68.0	4.5
	16	185-16		23.0	18.5	33.3	13.0	13.0	29.0	70.0	4.5
240	10	240-10	10	26.0	21.0	37.7	18.0	17.0	32.0	88.0	5.0
	12	240-12		26.0	21.0	37.7	18.0	17.0	32.0	88.0	5.0
	14	240-14		26.0	21.0	37.7	18.0	17.0	32.0	88.0	5.0
	16	240-16		26.0	21.0	37.7	18.0	17.0	32.0	88.0	5.0
300	10	300-10	10	28.0	23.0	41.0	18.0	17.0	37.0	97.0	5.0
	12	300-12		28.0	23.0	41.0	18.0	17.0	37.0	97.0	5.0
	14	300-14		28.0	23.0	41.0	18.0	17.0	37.0	97.0	5.0
	16	300-16		28.0	23.0	41.0	18.0	17.0	37.0	97.0	5.0
400	10	400-10	10	32.0	27.0	47.3	22.0	22.0	38.0	108.0	5.0
	12	400-12		32.0	27.0	47.3	22.0	22.0	38.0	108.0	5.0
	14	400-14		32.0	27.0	47.3	22.0	22.0	38.0	108.0	5.0
	16	400-16		32.0	27.0	47.3	22.0	22.0	38.0	108.0	5.0
500	10	500-10	1	36.0	30.0	53.0	28.0	24.0	38.0	117.0	6.9
	12	500-12		36.0	30.0	53.0	28.0	24.0	38.0	117.0	6.9
	14	500-14		36.0	30.0	53.0	28.0	24.0	38.0	117.0	6.9
	16	500-16		36.0	30.0	53.0	28.0	24.0	38.0	117.0	6.9
630	12	630-12	1	44.0	33.8	63.0	25.0	23.0	46.0	127.0	10.2
	14	630-14		44.0	33.8	63.0	25.0	23.0	46.0	127.0	10.2
	16	630-16		44.0	33.8	63.0	25.0	23.0	46.0	127.0	10.2
	20	630-20		44.0	33.8	63.0	25.0	23.0	46.0	127.0	10.2
800	14	800-14	1	49.0	38.0	70.0	34.0	34.0	56.0	164.0	11.0
	16	800-16		49.0	38.0	70.0	34.0	34.0	56.0	164.0	11.0
	20	800-20		49.0	38.0	70.0	34.0	34.0	56.0	164.0	11.0
1000	14	1000-14	1	53.0	42.5	77.0	34.0	34.0	56.0	169.0	10.5
	16	1000-16		53.0	42.5	77.0	34.0	34.0	56.0	169.0	10.5
	20	1000-20		53.0	42.5	77.0	34.0	34.0	56.0	169.0	10.5

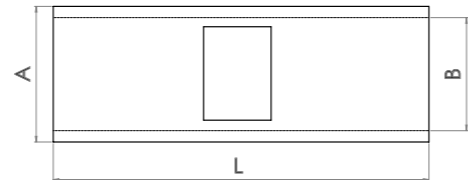
Copper Butt Splices 600/1000V



Copper Butt Splices Terminals are manufactured from precision drawn tube to BS 2871, they are designed to connect cables of equal size. Copper terminals are supplied plated as standard to BS 1872 Part 2 for corrosion resistance. The standard electro tinned parts are suitable for use up to temperatures of 150°C, nickel plated butt splices are available for high temperatures applications.

Material Standard Copper / Tin Plated BS2871

Size mm ²	Code	Bag QTY	A	B	L
10	10-T	20	6.6	4.7	25.0
16	16-T	20	7.5	5.6	30.0
25	25-T	20	9.4	7.0	35.0
35	35-T	20	10.6	8.2	40.0
50	50-T	20	12.0	9.5	44.0
70	70-T	10	14.7	11.5	44.0
95	95-T	10	16.7	13.5	46.0
120	120-T	10	19.0	15.0	50.0
150	150-T	10	21.0	16.5	54.0
185	185-T	10	23.0	18.5	56.0
240	240-T	10	26.0	21.0	58.0
300	300-T	10	28.0	23.0	60.0
400	400-T	10	32.0	27.0	63.0
500	500-T	1	38.1	30.0	135
630	630-T	1	44.0	33.8	135
800	800-T	1	49.0	38.0	135
1000	1000-T	1	53.0	42.5	135

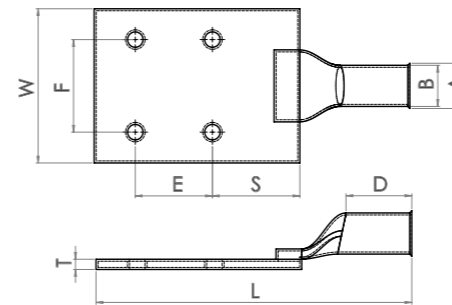


Four Bolt Transformer Lugs 600/1000V



Transformer lugs are manufactured and designed to fit the industry standard transformer. Manufactured to meet performance requirements of BS 45779 Part 1. Copper terminals are supplied plated as standard to BS 1872 Part 2 for corrosion resistance. The standard electro tinned parts are suitable for use up to temperatures of 150°C, nickel plated transformer lugs are available for high temperatures applications.

Material Standard Copper / Tin Plated BS2871



Transformer lugs 95 to 300 are of the brazed palm type.

Transformer lugs 400 to 1000 are dimensionally the same as our standard lugs with the exception of the palm fixing holes.



Size mm ²	Code	Bag QTY	A	B	W	E	F	D	L	S	T
95	95TRANS	1	17.0	13.5	24.3	25.0	35.0	24.0	119.0	17.0	3.5
120	120TRANS	1	19.0	15.0	27.2	25.0	35.0	27.0	119.0	17.0	4.0
150	150TRANS	1	21.0	16.5	30.0	25.0	35.0	27.0	119.0	17.0	4.5
185	185TRANS	1	23.0	18.5	33.5	25.0	35.0	30.0	119.0	17.0	4.5
240	240TRANS	1	26.0	21.0	37.0	25.0	35.0	32.0	119.0	17.0	5.0
300	300TRANS	1	28.0	23.0	41.0	25.0	35.0	37.0	119.0	17.0	5.0
400	400TRANS	1	32.0	27.0	47.3	25.0	35.0	38.0	113.0	17.0	5.0
500	500TRANS	1	38.0	30.0	55.0	25.0	35.0	44.0	127.0	17.0	8.2
630	630TRANS	1	44.0	33.8	63.0	25.0	35.0	46.0	127.0	17.0	10.2
800	800TRANS	1	49.0	38.0	70.0	25.0	35.0	56.0	164.0	17.0	11.0
1000	1000TRANS	1	53.0	42.5	77.0	25.0	35.0	56.0	169.0	17.0	10.5

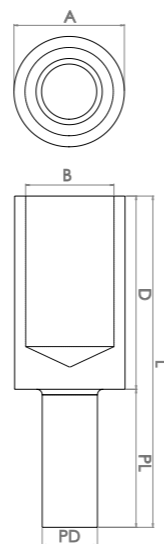
Pin Lugs 600/1000V



Copper Pin Lugs are manufactured from precision drawn tube to BS 2871. Copper pin lugs are supplied plated as standard to BS 1872 Part 2 for corrosion resistance. The standard electro tinned parts are suitable for use up to temperatures of 150°C, nickel plated pin lugs are available for high temperatures applications.

Material Standard Copper / Tin Plated BS2871

Size mm ²	Code	Bag QTY	A	B	D	L	PL	PD
10	10-P	10	6.25	4.45	13.0	23.0	10.0	3.8
16	16-P	10	7.0	5.35	16.4	29.9	13.5	3.7
25	25-P	10	9.0	7.0	19.0	38.0	19.0	5.0
35	35-P	10	10.7	8.0	21.0	40.0	19.0	5.0
50	50-P	10	12.3	9.7	22.0	41.0	19.0	7.5
70	70-P	5	15.8	11.25	25.5	45.0	19.5	8.0
95	95-P	5	17.0	13.5	27.0	45.0	18.0	8.0
120	120-P	5	19.0	15.0	30.0	54.0	24.0	10.0
150	150-P	5	22.0	16.5	32.0	56.0	24.0	10.0
185	185-P	5	25.0	18.5	35.0	60.0	25.0	10.0
240	240-P	1	25.0	21.0	37.0	62.0	25.0	14.0
300	300-P	1	28.0	23.0	50.0	82.0	32.0	16.0
400	400-P	1	32.0	27.0	53.0	85.0	32.0	16.0



Hire Tooling Now Available



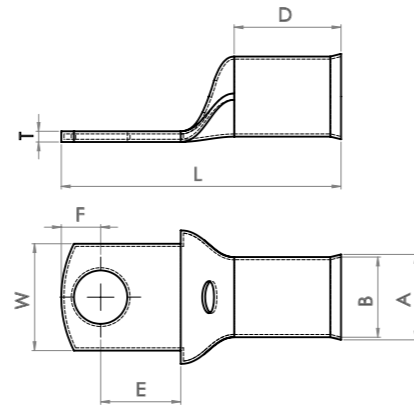
Narrow Palm Copper Tube Lugs 600/1000V



Narrow Palm Terminals are designed for installations where reduced space is available between terminal guards. Manufactured to meet performance requirements of BS 45779 Part 1. Copper terminals are supplied plated as standard to BS 1872 Part 2 for corrosion resistance. The standard electro tinned parts are suitable for use up to temperatures of 150°C

Material Standard Copper / Tin Plated
BS2871

Size mm ²	Stud Hole Size	Palm Width	Lug Code	Bag QTY
35	6	11	35-6NP	20
50	8	15	50-8NP	20
70	8	17	70-8NP	10
95	8	19	95-8NP	10
120	8	19	120-8NP	10
150	10	19	150-10NP	10
185	10	25	185-10NP	10
240	10	31	240-10NP	10
300	12	31	300-12NP	10
400	12	31	400-12NP	10
500	12	35	500-12NP	1
630	12	45	630-12NP	1



Note: Specific palm width can be manufactured to order, please contact sales for more information.

Mechanical Termination Lug 600/1000V



Mechanical Lugs are manufactured from HE 30 TF Aluminium alloy, they are designed to terminate Copper or Aluminium core power cables without the use of crimping tools. Mechanical lugs are range taking and four sizes cover 50 to 500mm² csa. Short circuit tested in accordance with BS 4579 Part 3. Suitable for sector shaped solid or stranded conductors.

Material Standard HE 30 TF Aluminium Alloy
BS4579 Part 3

Size mm ²	Stud Hole Size	Core Size mm ²		Lug Code	Bag QTY
		Min	Max		
50	M12	50	95	ML1-12	1
120	M16	120	185	ML2-16	1
240	M16	240	300	ML3-16	1
400	M16	400	500	ML4-16	1

RLSK-250

Code	Max Capacity	Length	Weight
RLSK-250	250mm ²	550	1.7Kgs



RLK-240

Code	Max Capacity	Length	Weight
RLK-240	240mm ²	310	0.55Kgs



RHS-500B

Code	Max Capacity	Length	Weight
RHS-500B	400mm ²	235	1.1Kgs



RLK-960

Code	Max Capacity	Length	Weight
RLK-960	960mm ²	870	5.6Kgs



RM120



Code	Length	Weight	Indent Range
RM120	580	3.2	10-120mm ² (Copper)

RHT-51



Code	Details			Length	Weight	Die Sizes
	Pressure	Travel	Oil Volume			
RHT-51	6 Ton	12mm	145cc	720	5.5Kgs	16,25,35,50,70,95,120,150,185,240 mm ²

RTCHH400



Code	Details			Length	Weight	Die Sizes
	Pressure	Stroke	Oil Volume			
RTCHH400	13 Ton	12mm	200cc	610	6.2Kgs	50,70,95,120,150,185,240,300,400mm ²

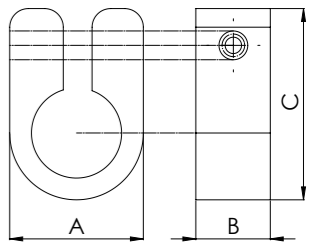
CLINGSTRAP Cable Cleat



The **CLINGSTRAP Cable Cleat** is a comprehensive range of single fixing cable cleats to provide a simple, but strong means of securing cables. Suitable for use with cables or pipes up to 50.8mm in diameter.

Material Polypropylene / LS Zero Halogen Polypropylene
Features High level of UV resistance
Operating Temp -35 to +105°C

Size	Cable Range		Stud Hole Size	Dimensions			Box QTY	Cleat Code	LSF Cleat Code
	Min	Max		A	B	C			
3	5.0	7.6	M6	12.5	15.0	26.5	5000	C3	C3LS
4	7.7	10.0	M6	15.0	15.0	27.0	5000	C4	C4LS
5	10.1	12.7	M6	17.0	16.0	29.7	4500	C5	C5LS
6	12.6	15.2	M6	19.5	16.5	33.0	3500	C6	C6LS
7	15.1	17.8	M6	25.0	19.5	36.0	2500	C7	C7LS
8	17.7	20.3	M6	26.0	19.5	38.0	1800	C8	C8LS
9	20.2	22.8	M6	29.0	19.5	42.0	1400	C9	C9LS
10	22.7	25.4	M6	32.5	22.0	46.0	1200	C10	C10LS
11	25.3	27.7	M10	36.0	22.0	50.5	800	C11	C11LS
12	27.6	30.5	M10	40.0	25.0	59.0	500	C12	C12LS
14	30.4	35.5	M10	46.5	25.0	63.0	500	C14	C14LS
16	35.4	40.6	M10	52.0	25.0	69.0	350	C16	C16LS
18	40.5	45.7	M10	58.0	25.0	72.5	300	C18	C18LS
20	45.6	50.8	M10	60.0	25.0	72.0	300	C20	C20LS



Sizing Chart P-91

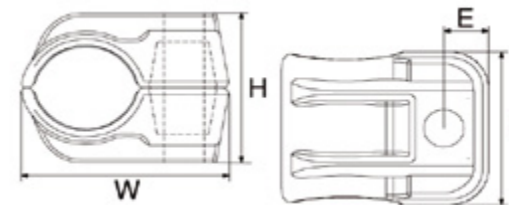
One Hole Cable Clamp



The **One Hole Cable Clamps** are a range of single hole fixing, two part cleats designed to fit cables 10.0mm to 51.0mm diameter. Manufactured from high strength polypropylene or halogen free nylon.

Material LS Zero Halogen Nylon
Features High level of UV resistance
Operating Temp -35 to +105°C

Size	Cable Range		Stud Hole Size	Dimensions				LS Cleat Code
	Min	Max		W	H	D	E	
10	10	13	M10	37.8	27.0	41.2	10.2	1F10LSF
11	13	16	M10	41.2	30.0	41.2	10.4	1F11LSF
12	16	19	M10	44.3	33.0	41.2	10.7	1F12LSF
13	19	23	M10	48.2	36.0	41.2	10.9	1F13LSF
14	23	27	M10	52.2	40.0	41.2	11.3	1F14LSF
15	27	32	M10	57.1	44.0	41.2	11.6	1F15LSF
16	32	38	M10	63.1	49.0	41.2	12.1	1F16LSF
17	38	46	M10	71.3	58.0	41.2	12.9	1F17LSF
18	46	51	M10	77.3	67.0	41.2	13.5	1F18LSF
19	51	57	M10	83.2	72.0	41.2	13.9	1F19LSF



Sizing Chart P-91

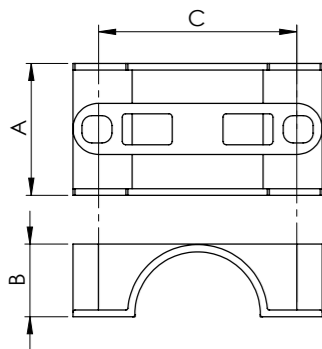
TC Two Hole Cable Clamp



The **TC Two Hole Cable Clamps** are a range of two hole fixing, two part cleats designed to fit cables 50mm to 135mm diameter. Manufactured from high strength polypropylene and designed to be easily stacked to save time and space.

Material Polypropylene / LS Zero Halogen Polypropylene
Features High level of UV resistance
Operating Temp -35 to +105°C

Sizing Chart P.91



Available in red to order

Size	Cable Range		Stud Hole Size	Dimensions			Box QTY	Cleat Code	LS Cleat Code
	Min	Max		A	B	C			
8	41	48	2 x M10	59.0	31.0	75.0	100	TC8	TC8LS
9	48	57	2 x M10	60.0	32.0	76.2	100	TC9	TC9LS
10	57	64	2 x M10	60.0	35.0	76.2	100	TC10	TC10LS
11	64	70	2 x M10	62.5	40.0	114.3	50	TC11	TC11LS
12	70	76	2 x M10	62.5	44.0	114.3	50	TC12	TC12LS
14	76	85	2 x M10	63.5	46.5	114.3	50	TC14	TC14LS
15	83	105	2 x M10	73.0	54.0	147.0	25	TC15	TC15LS
16	105	112	2 x M10	90.0	74.0	139.0	25	TC16	TC16LS
17	112	120	2 x M10	90.0	78.0	139.0	25	TC17	TC17LS
18	120	128	2 x M10	100.0	82.5	157.0	25	TC18	TC18LS
19	128	135	2 x M10	100.0	87.0	157.0	25	TC19	TC19LS

Note: TC Clamps are available from stock manufactured in Red material, please contact sales for more information.

Fixing Studs & Accessories



Code	Description
M10-100	M10 x 100mm Threaded Stud
M10-125	M10 x 125mm Threaded Stud
M10-150	M10 x 150mm Threaded Stud
M10-225	M10 x 225mm Threaded Stud
M10-FN	M10 Full Nut
M10-W	M10 Flat Washer

All fixings are Bright Zinc Plated Mild Steel.

Channel Nuts



Code	Description
ZE6L6	M6 Channel nut - Long spring
ZE6L10	M10 Channel nut - Long spring

Stainless Steel Available on Request

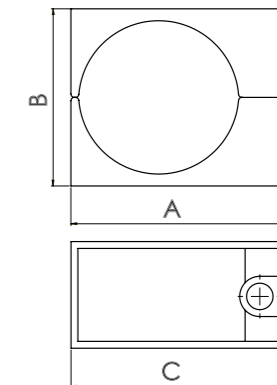
One & Two Hole Fixing Aluminium Cable Clamps



The **One & Two Hole Cable Clamps** are designed to fit cables 13 to 71mm diameter (one hole) 51 to 114mm diameter (two hole). Manufactured LM6 aluminium to BS1490 one hole fixing cleats can be easily stacked and can be fixed directly to channel or ladder.

Material LM6 Aluminium
Features High mechanical strength
Operating Temp -60 to +100°C

Size	Cable Range		Stud Hole Size	Dimensions			Cleat Code
	Min	Max		A	B	C	
1	10	13	M10	41	32	43	1ALM1
2	13	16	M10	44	34	43	1ALM2
3	16	19	M10	48	36	43	1ALM3
4	19	22	M10	50	38	43	1ALM4
5	22	26	M10	53	40	43	1ALM5
6	26	33	M10	59	44	43	1ALM6
7	33	39	M10	65	50	43	1ALM7
8	39	45	M10	71	56	43	1ALM8
9	45	51	M10	78	63	43	1ALM9
10	51	58	M10	84	73	43	1ALM10
11	58	65	M10	91	80	43	1ALM11
12	65	71	M10	97	89	43	1ALM12

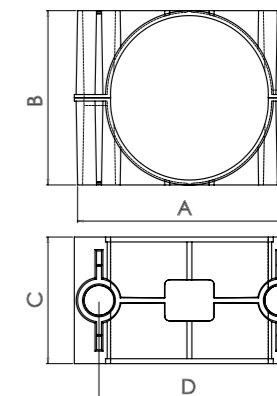


Sizing Chart P.91



Material LM6 Aluminium
Features High mechanical strength
Operating Temp -60 to +100°C

Size	Cable Range		Stud Hole Size	Dimensions				Cleat Code
	Min	Max		A	B	C	D	
10	51	57	2 x M10	96	68	49	76	2ALM10
11	57	64	2 x M10	96	75	49	76	2ALM11
12	64	70	2 x M10	134	84	64	114	2ALM12
13	70	76	2 x M10	134	90	64	114	2ALM13
14	76	83	2 x M10	142	96	64	114	2ALM14
15	83	89	2 x M10	142	102	64	114	2ALM15
16	89	95	2 x M10	154	114	76	126	2ALM16
17	95	101	2 x M10	154	120	76	126	2ALM17
18	101	108	2 x M10	169	134	76	140	2ALM18
19	108	114	2 x M10	169	140	76	140	2ALM19



TRI eco Trefoil Cable Clamp

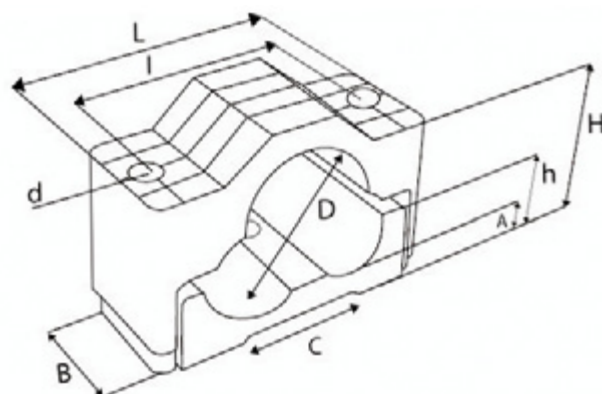
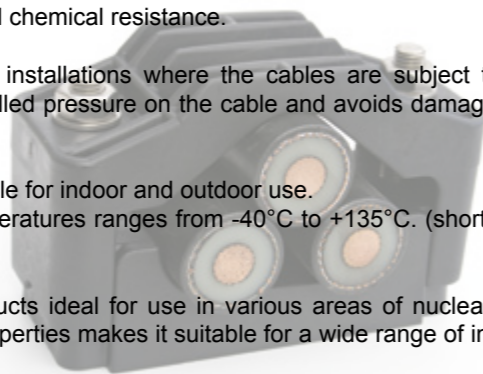


The **TRI eco Trefoil Clamp** is designed for cleating three single cables in a trefoil configuration where low to medium short circuit withstand levels are required. The range is covered by two sizes and covers cables from 24.0 to 46.0mm overall diameter.

- Material** Glass fibre reinforced Polyamide, fire resistant, high UV and chemical resistance and operating temperature, halogen-free.
- Tests** Tested by KEMA Netherlands b.v. and Underwriters Laboratories Inc. USA.
- Mechanical Strength** TRI eco 24-35: 15.000 N
TRI eco 33-46: 16.900 N
TRI eco 47-66: 25.000 N

Product Benefits

- Glass fibre reinforced Polyamide provides high mechanical and chemical resistance.
- Designed to provide superior mechanical strength, ideal for installations where the cables are subject to short circuit rating. The width of the clamping-area provides a controlled pressure on the cable and avoids damage to the isolation.
- Fire resistant and resistant to UV radiation and therefore suitable for indoor and outdoor use. No alteration of strength and signs of degrading within temperatures ranges from -40°C to +135°C. (shortly up to +220°)
- Resistance to different amounts of radiation makes our products ideal for use in various areas of nuclear power plants. Its unique blend of chemical, electrical and physical properties makes it suitable for a wide range of industrial applications.



Dimensions	Cable Range D		L	B	I	d	H	h	A	C	Cleat Code
	Min	Max									
	24	35	136	70	101	11	54-78	35	20	40	TRleco 24-35
	33	46	156	70	121	11	58-90	41	20	50	TRleco 33-46
	47	66	205	70	170	13	80-120	51	19		TRleco 47-66

TRI Trefoil Cable Clamp

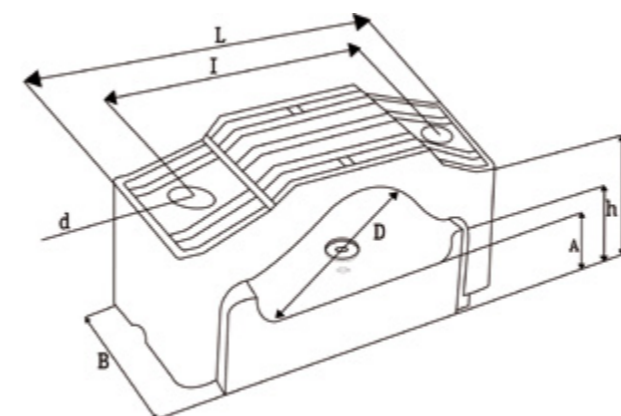
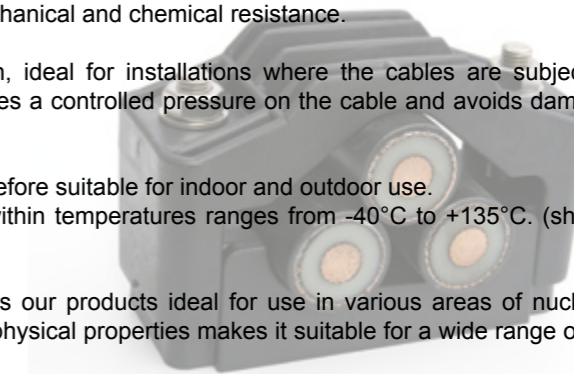


The **TRI Trefoil Clamp** is designed for cleating three single cables in a trefoil configuration where low, medium or high short circuit withstand levels are required. The range is covered by five sizes and covers cables from 25.0 to 98.0mm overall diameter.

- Material** Glass fibre reinforced Polyamide, fire resistant, high UV and chemical resistance and operating temperature, halogen-free.
- Tests** Tested by KEMA Netherlands b.v. and Underwriters Laboratories Inc. USA.
- Mechanical Strength** TRI 25-40: 28.600 N
TRI 38-53: 38.700 N
TRI 53-66: 69.000 N
TRI 67-82: 42.000 N
TRI 82-98: 42.000 N

Product Benefits

- Glass fibre reinforced Polyamide provides high mechanical and chemical resistance.
- Designed to provide superior mechanical strength, ideal for installations where the cables are subject to short circuit rating. The width of the clamping-area provides a controlled pressure on the cable and avoids damage to the isolation.
- Fire resistant and resistant to UV radiation and therefore suitable for indoor and outdoor use. No alteration of strength and signs of degrading within temperatures ranges from -40°C to +135°C. (shortly up to +220°)
- Resistance to different amounts of radiation makes our products ideal for use in various areas of nuclear power plants. Its unique blend of chemical, electrical and physical properties makes it suitable for a wide range of industrial applications.



Dimensions	Cable Range D		L	B	I	d	H	h	A	Cleat Code
	Min	Max								
	25	40	172	80	125	14.5	80-108	46	30	TRI 25-40
	38	53	190	80	145	14.5	85-115	54	30	TRI 38-53
	53	66	216	80	169	15.0	100-120	44	25	TRI 53-66
	67	82	252	100	202	16.5	140-175	70	26	TRI 67-82
	82	98	284	100	234	16.5	168-205	78	26	TRI 82-98

Note: Full range covers cables up to 145mm, please contact sales for further information.

Cable Hangers



Cable Hangers are designed for holding power cables in single or multiple runs. Fabricated from mild steel flat 6mm bar, hot dipped galvanised to BS729:1971. Special designs are available on request.

Material Mild Steel / Hot Dipped Galvanised

Ways	Cable Range		Fixing Hole Size	Hanger Width	Hanger Length	Centre Hole Fixing	Code
	Min	Max					
1	-	50	M10	40	145	105	CH1W1
2	-	50	M10	40	235	195	CH2W1
3	-	50	M10	40	325	285	CH3W1
4	-	50	M10	40	415	375	CH4W1
5	-	50	M10	40	505	465	CH5W1
6	-	50	M10	40	595	555	CH6W1
1	51	75	M12	50	170	130	CH1W2
2	51	75	M12	50	295	255	CH2W2
3	51	75	M12	50	420	380	CH3W2
4	51	75	M12	50	545	505	CH4W2
5	51	75	M12	50	670	630	CH5W2
6	51	75	M12	50	795	755	CH6W2
1	76	100	M12	50	185	145	CH1W3
2	76	100	M12	50	345	305	CH2W3
3	76	100	M12	50	505	465	CH3W3
4	76	100	M12	50	665	625	CH4W3
5	76	100	M12	50	825	785	CH5W3
6	76	100	M12	50	985	945	CH6W3

Suspension Hooks



Suspension Hooks are designed for holding single power cables or small cable bundles. Fabricated from mild steel flat 6mm bar, hot dipped galvanised to BS729:1971. Special designs are available on request.

Material Mild Steel / Hot Dipped Galvanised

Ways	Cable Range		Fixing Hole Size	Hanger Width	Hanger Length	Code
	Min	Max				
1	--	50	M10	40	105	SHA1
1	51	75	M12	50	120	SHA2
1	76	100	M12	50	155	SHA3

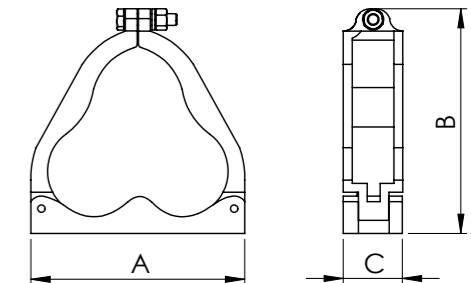
Aluminium Trefoil Cable Cleat



The Aluminium Trefoil Cleat is designed for cleating three single cables in a trefoil configuration where low to medium short circuit withstand levels are required. The range covers cables from 24.0 to 76.0mm overall diameter. Silicon aluminium alloy to BS 1490 : 1988 LM6.

Material LM6 Aluminium
Features General Purpose / Single bolt fixing
Operating Temp -60 to +100°C

Trefoil Range	Stud Hole Size	Dimensions			Cleat Code	
		Min	Max			
24	25	M10	75	94	38	376AC01
25	27	M10	75	97	38	376AC02
27	28	M10	75	100	38	376AC03
28	30	M10	76	103	38	376AC04
30	32	M10	79	105	38	376AC05
32	34	M10	83	106	38	376AC06
34	35	M10	86	109	38	376AC07
35	36	M10	89	113	38	376AC08
36	38	M10	92	116	38	376AC09
38	40	M10	95	119	38	376AC10
40	41	M10	99	122	38	376AC11
41	43	M10	105	124	38	376AC12
43	44	M10	108	127	38	376AC13
44	46	M10	112	130	38	376AC14
46	48	M10	114	133	38	376AC15
48	49	M10	118	137	38	376AC16
49	51	M10	121	140	38	376AC17
51	53	M10	124	143	38	376AC18
53	54	M10	127	146	38	376AC19
54	55.5	M10	133	155	44	376AC20
55.5	57	M10	137	158	44	376AC21
57	59	M10	141	160	44	376AC22
59	60	M10	145	163	44	376AC23
60	62	M10	148	165	44	376AC24
62	63.5	M10	152	168	44	376AC25
63.5	65	M10	156	172	44	376AC26
65	66.5	M10	160	176	44	376AC27
66.5	68	M10	164	178	44	376AC28
68	70	M10	168	181	44	376AC29
70	71.5	M10	171	187	44	376AC30
71.5	73	M10	175	190	44	376AC31
73	74.5	M10	179	193	44	376AC32
74.5	76	M10	183	197	44	376AC33



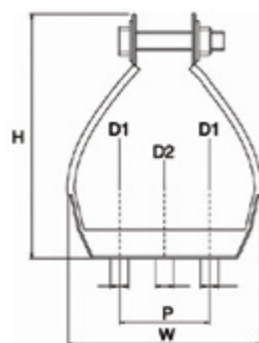
Vulcan Range-Taking Cable Cleat



The **Vulcan Cable Cleats** are designed for trefoil, single, quad and bundled cable installations where moderate short circuit withstand levels are required. Manufactured in 316 stainless steel they offer protection against hostile environmental conditions. To protect and cushion the cables the cleat comes with an integral LSF Polymeric liner and base pad.

Material 316 Stainless Steel / Polymeric liner & base pad
Features Compact Design / Range-taking

Trefoil Range		Single Range		Stud Hole Size	Dimensions				Cleat Code
Min	Max	Min	Max		H	W	P	Depth	
19	24	33	42	M10	93	60	n/a	54	VRT-00
23	28	38	50	M10	98	63	n/a	54	VRT-01
27	32	43	58	M10	106	72	n/a	54	VRT-02
30	35	49	64	M10	112	79	n/a	54	VRT-03
33	38	55	70	M10	118	85	n/a	54	VRT-04
36	42	58	75	M10	125	96	n/a	54	VRT-05
40	46	63	84	M10	133	105	n/a	54	VRT-06
44	50	73	90	M10	140	112	n/a	54	VRT-07
48	55	83	100	M10	149	121	n/a	54	VRT-08
51	58	88	104	M10	154	126	n/a	54	VRT-09
55	62	86	110	M10	162	134	50	54	VRT-10
59	66	90	115	M10	170	143	50	54	VRT-11
63	70	100	125	M10	177	152	50	54	VRT-12
67	74	107	132	M10	185	161	75	54	VRT-13
71	78	120	145	M10	192	169	75	54	VRT-14
74	82	125	150	M10	199	176	75	54	VRT-15
7	85	132	153	M10	205	183	75	54	VRT-16
81	89	136	156	M10	216	190	75	54	VRT-17
85	93	139	159	M10	225	200	75	54	VRT-18
89	97	142	162	M10	235	200	75	54	VRT-19
93	101	150	170	M10	240	215	75	54	VRT-20



The **Vulcan Quad Cable Cleat** is designed for four cable installations. Covering four cables from 23mm to 70mm overall diameter.

Quad Range		Stud Hole Size	Dimensions						Cleat Code
Min	Max		H	W	P	Depth	D1	D2	
23	25	M10	110	68	n/a	54	10.2	10.2	VRQ-01
26	27	M10	113	70	n/a	54	10.2	10.2	VRQ-02
28	32	M10	128	80	n/a	54	10.2	10.2	VRQ-03
33	42	M10	148	103	n/a	54	10.2	10.2	VRQ-04
43	47	M10	165	120	n/a	54	10.2	10.2	VRQ-05
48	50	M10	170	121	n/a	54	10.2	10.2	VRQ-06
51	57	M10	190	140	50	54	10.2	10.2	VRQ-07
58	63	M10	200	150	50	54	10.2	10.2	VRQ-08
64	70	M10	218	170	75	54	10.2	10.2	VRQ-09

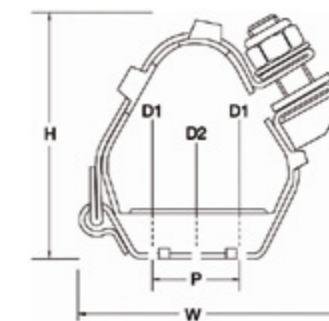
Emperor Cable Cleat



The **Emperor ER Cable Cleats** are designed to fit trefoil cable installations where high short circuit withstand levels are required. Manufactured in 316 stainless steel they offer protection against hostile environmental conditions. To protect and cushion the cables the cleat comes with an integral LSF Polymeric liner and base pad.

Material 316 Stainless Steel / Polymeric liner & base pad
Features High Short Circuit Withstand / Range-taking

Trefoil Range		Stud Hole Size	Dimensions						Cleat Code
Min	Max		H	W	P	Depth	D1	D2	
23	28	2xM10 1xM12	83	96	25	54	10.2	12.2	ER23-28
27	32	2xM10 1xM12	88	97	25	54	10.2	12.2	ER27-32
30	35	2xM10 1xM12	91	99	25	54	10.2	12.2	ER30-35
33	38	2xM10 1xM12	95	103	25	54	10.2	12.2	ER33-38
36	42	2xM10 1xM12	100	124	50	54	10.2	12.2	ER36-42
40	46	2xM10 1xM12	106	125	50	54	10.2	12.2	ER40-46
44	50	2xM10 1xM12	117	130	50	54	10.2	12.2	ER44-50
48	55	2xM10 1xM12	121	132	50	54	10.2	12.2	ER48-55
51	58	2xM10 1xM12	128	136	50	54	10.2	12.2	ER51-58
55	62	2xM10 1xM12	135	160	75	54	10.2	12.2	ER55-62
59	66	2xM10 1xM12	143	163	75	54	10.2	12.2	ER59-66
63	70	2xM10 1xM12	151	166	75	54	10.2	12.2	ER63-70
67	74	2xM10 1xM12	158	169	75	54	10.2	12.2	ER67-74
71	78	2xM10 1xM12	165	172	75	54	10.2	12.2	ER71-78
74	82	2xM10 1xM12	171	177	75	54	10.2	12.2	ER74-82
77	85	2xM10 1xM12	177	183	75	54	10.2	12.2	ER77-85
82	88	2xM10 1xM12	187	191	75	54	10.2	12.2	ER82-88
88	96	2xM10 1xM12	203	207	75	54	10.2	12.2	ER88-96
96	103	2xM10 1xM12	218	221	75	54	10.2	12.2	ER96-103
103	111	2xM10 1xM12	235	237	75	54	10.2	12.2	ER103-111
111	119	2xM10 1xM12	250	253	75	54	10.2	12.2	ER111-119
119	128	2xM10 1xM12	275	265	75	54	10.2	12.2	ER119-128



The **Emperor ES Cleat** is manufactured to the same specification as the trefoil version, suitable for single cables from 23mm to 66mm overall diameter.

Single Range		Stud Hole Size	Dimensions						Cleat Code
Min	Max		H	W	P	Depth	D1	D2	
23	28	2xM10 1xM12	89	91	25	54	10.2	12.2	ES32-39
27	32	2xM10 1xM12	93	96	25	54	10.2	12.2	ES37-45
30	35	2xM10 1xM12	98	99	25	54	10.2	12.2	ES44-52
33	38	2xM10 1xM12	102	103	25	54	10.2	12.2	ES51-59
36	42	2xM10 1xM12	101	109	25	54	10.2	12.2	ES58-66
40	46	2xM10 1xM12	103	111	25	54	10.2	12.2	ES65-73
44	50	2xM10 1xM12	112	135	25	54	10.2	12.2	ES73-85
48	55	2xM10 1xM12	135	135	25	54	10.2	12.2	ES84-94
51	58	2xM10 1xM12	150	160	25	54	10.2	12.2	ES94-118
55	62	2xM10 1xM12	160	175	25	54	10.2	12.2	ES118-130
59	66	2xM10 1xM12	180	180	25	54	10.2	12.2	ES127-150

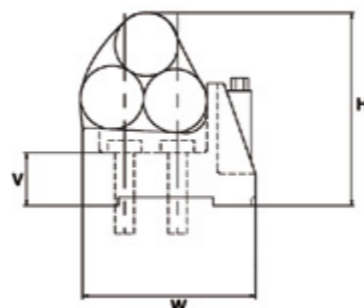
Vari-Cleat



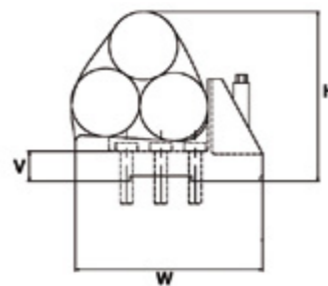
Vari-Cleats are designed for trefoil, single, quad and bundled cable installations where moderate to high short circuit withstand levels are required. The unique design allows the installer to lay the cables along the cleat base without any interference from the cleat strap. The base is manufactured LM6 aluminium (optional powder or Kelvar coating available). The strap assembly is manufactured from 316 stainless steel (optional LSF Silicone liner available).

Material Features LM6 Aluminium / 316 Stainless Steel
Installation Speed / Range-taking / Compactness

Size	Without Liner		With LST Liner		Stud Hole Size	Dimensions				Cleat Code
	Trefoil	Single	Trefoil	Single		H	W	Depth	V	
A1	21-24	36-43	19-22	31-38	2 x M8	80	82	74	25	VC-AN1
A2	22-26	41-48	21-24	36-43	2 x M8	84	82	74	25	VC-AN1
A3	24-28	44-51	23-26	39-46	2 x M8	88	83	74	25	VC-AN3
A4	26-30	49-54	25-29	44-51	2 x M8	92	86	74	25	VC-AN4
B1	29-33	51-59	27-31	46-54	2 x M8	94	97	74	19	VC-BN1
B2	30-35	55-63	29-33	50-58	2 x M8	97	97	74	19	VC-BN2
B3	32-38	60-68	30-36	55-63	2 x M8	101	100	74	19	VC-BN3
B4	34-38	64-70	33-38	59-68	2 x M8	105	104	74	19	VC-BN4
C1	37-42	68-76	35-40	63-71	2 x M8	105	117	76	19	VC-CN1
C2	39-44	72-82	37-42	66-76	2 x M8	109	117	76	19	VC-CN2
C3	42-47	76-85	39-45	70-80	2 x M8	115	118	76	19	VC-CN2
C4	44-48	81-87	44-48	76-86	2 x M8	121	124	76	19	VC-CN4
D1	47-53	86-96	47-51	81-91	2 x M8	126	138	78	19	VC-DN1
D2	50-56	91-100	49-54	85-95	2 x M8	132	141	78	19	VC-DN2
D3	54-59	96-105	52-57	90-100	2 x M8	138	147	78	19	VC-DN3
D4	56-60	101-106	55-60	96-106	2 x M8	144	153	78	19	VC-DN4
E1	59-63	105-112	58-62	100-107	2 x M8	147	163	80	16	VC-EN1
E2	62-67	111-118	61-66	106-113	2 x M8	154	167	80	16	VC-EN2
E3	65-70	118-125	63-69	113-120	2 x M8	160	174	80	16	VC-EN3
E4	68-74	125-132	67-73	120-127	2 x M8	167	181	80	16	VC-EN4
F1	71-76	125-140	68-74	120-135	3 x M12	170	187	82	14	VC-FN1
F2	74-80	132-145	72-78	128-140	3 x M12	177	194	82	14	VC-FN2
F3	78-84	139-152	76-82	134-147	3 x M12	185	201	82	14	VC-FN3
F4	82-88	148-160	80-86	143-155	3 x M12	193	210	82	14	VC-FN4
G1	84-91	145-160	82-89	140-155	3 x M12	197	217	82	14	VC-GN1
G2	88-95	155-170	86-93	150-165	3 x M12	205	225	82	14	VC-GN2
G3	92-99	165-180	90-97	160-175	3 x M12	213	233	82	14	VC-GN3
G4	96-103	175-190	94-101	170-185	3 x M12	221	240	82	14	VC-GN4
H1	98-106	170-190	96-104	165-185	3 x M12	229	247	84	17.5	VC-HN1
H2	102-110	180-200	100-108	175-195	3 x M12	237	255	84	17.5	VC-HN2
H3	106-114	190-205	104-112	185-200	3 x M12	245	263	84	17.5	VC-HN3
H4	110-118	200-215	108-116	195-210	3 x M12	252	271	84	17.5	VC-HN4



Base Sizes AN, BN & CN



Base Sizes DN, EN, FN, GN & HN

Note: For Vari-Cleat with LST Liner please add "LST" to the end of the stock code.

Multicleat



Multicleats are designed for trefoil, single, quad and bundled cable installations. The range covers cable diameters in Trefoil from 24 to 145mm in 17 sizes with exceptional overlapping ranges. Manufactured from non-magnetic materials throughout.

Base Material Aluminium Alloy, Cast Iron, Stainless Steel
Strap Material Stainless Steel

Product Benefits

- Multicleat bases available as either single or two bolt fixing design
- Multicleat bases available in variety of materials and finishes
- Operating temperature -40°C to +135°C. Fire resistant; Multistrap with either cast iron or stainless steel bases will survive an excursion to +1000°C for up to 2 hours. However, any protective coating of the cast iron base could be adversely affected.

Cleat Size Code	Trefoil Range		Single Range		Stud Hole Size		
	Standard 378AB	Heavy 378AB	Min	Max			
01		51	24	34	36	65	M10
02		52	30	41	60	85	M10
03		53	37	47	80	90	M10
04		54	43	54	85	110	M10
05		55	50	60			M10
06		56	56	67			M10
07		57	63	73			M10
08		58	69	80			M10
09		59			105	120	M10
		29			85	110	M10
		36	72	85			M10
		37	82	95			M10
		38	92	105			M10
		39	102	115			M10
		40	112	125			M10
		41	122	135			M10
		42	132	145			M10

Note: Multicleat style 29 and 39 are only available with aluminium alloy bases type AB or AD. For 09 and 59 Multicleat use style 05 and 55 Multistrap respectively.

Multistrap



Multistraps are designed as an intermediate restraint used between Multicleats. The range covers cable diameters in Trefoil from 24 to 145mm in 17 sizes with exceptional overlapping ranges. Manufactured from Stainless Steel.

Strap Material Stainless Steel

Product Benefits

- A Multistrap is a strap complete with tensioning clip, securing pin and winding key all made from highly corrosion resistant non-magnetic Stainless Steel
- They may be used to bind cables together
- Multistraps are supplied in two strengths:-

- >Standard duty, designed to have 2 loops of 0.38mm thick strap around the cables
- >Heavy duty, designed to have 3 loops of 0.38mm thick strap around the cables

Cleat Size Code		Trefoil Range	
Standard 377AB	Heavy 377AB	Min	Max
01	51	24	34
02	52	30	41
03	53	37	47
04	54	43	54
05	55	50	60
06	56	56	67
07	57	63	73
08	58	69	80
	36	72	85
	37	82	95
	38	92	105
	39	102	115
	40	112	125
	41	122	135
	42	132	145

Multicleat/Multistrap Duty	Spacing 'b' m MAX.	Short Circuit Current kA		Cleat spacing at Vertical Change of Direction (mm)
		RMS	Peak	
Standard	1.8	43	114	300
Heavy	1.5	50	130	300
Heavy	1.2	71	184	300

Note: To ensure adequate restraint, Multistraps must be used at the mid-point between cleats on all horizontal and vertical.

BAND-FAST Cable Restraint Clamps



BAND-FAST is designed as a ready to use pre-cut and pre-assembled band & captive sealing clip restraint clamp. This pre-assembled product gives significant time, labour & cost savings and has proven to have advantages that can't be ignored. Supplied in one width and six lengths the range covers single cables, cable bundles, trefoil and quad configurations from 10mm to 130mm.

Material Features 316 Stainless Steel / PPA LS Coating
Vibration Proof / Suitable for Harsh Environments
UL Listed, DNV Approved, Lloyds Register listed

Single Wrap

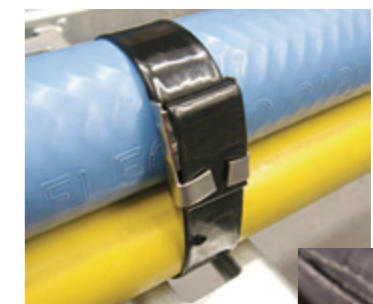
Length	Width	Trefoil Cable Range		Single Cable Range		Code	Bag QTY
		Min	Max	Min	Max		
300	15.88	6	13	10	40	BF-S-300	100
400	15.88	12	28	38	75	BF-S-400	100
500	15.88	27	43	74	100	BF-S-500	100
600	15.88	42	57	98	130	BF-S-600	100

Double Wrap

Length	Width	Trefoil Cable Range		Single Cable Range		Code	Bag QTY
		Min	Max	Min	Max		
400	15.88	6	13	10	40	BF-D-400	100
500	15.88	12	21	38	55	BF-D-500	100
600	15.88	20	28	54	70	BF-D-600	100
700	15.88	27	35	78	85	BF-D-700	100
800	15.88	34	42	84	100	BF-D-800	100
1000	15.88	41	57	98	130	BF-D-1000	100

Product Benefits

- Low Profile Finish
- Zero Halogen, low smoke & fume
- DNV and GL Type Approved Materials
- Captive sealing clip
- Fully rounded edges and end profile
- Significant weight reduction to cable clamps
- Independently tested for shock and short circuit
- Reduced stock holding - One size fits larger range



Nylon Cable Ties

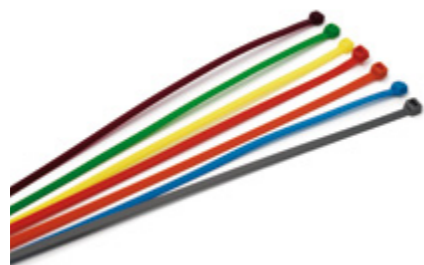


Nylon Cable Ties are manufactured from Nylon 66 material which is Zero Halogen, Low Smoke self extinguishing to UL94-V2. This ties meet most International Standards, and Testing conforms to UL 1565 specification and also meets with the requirements of MIL-S-23190E. Available in both Black & Natural as standard.

Material Nylon 66
Features Self Extinguishing to UL94-V2
Operating Temp -40 to +85°C

Length	Width	Bundle Max Dia	Min Tensile Strength kg	Bag QTY	Tie Code Black	Tie Code Natural
80	2.5	14	8.1	100	NTB14M	NT14M
100	2.5	20	8.1	100	NTB20M	NT20M
120	2.5	24	8.1	100	NTB24M	NT24M
160	2.5	36	8.1	100	NTB36M	NT36M
200	2.5	50	8.1	100	NTB50M	NT50M
140	3.6	30	18.2	100	NTB30I	NT30I
200	3.6	50	18.2	100	NTB50I	NT50I
295	3.6	75	18.2	100	NTB75I	NT75I
160	4.8	36	22.2	100	NTB36S	NT36S
180	4.8	40	22.2	100	NTB40S	NT40S
200	4.8	50	22.2	100	NTB50S	NT50S
250	4.8	70	22.2	100	NTB70S	NT70S
295	4.8	75	22.2	100	NTB75S	NT75S
370	4.8	100	22.2	100	NTB100S	NT100S
430	4.8	115	22.2	100	NTB115S	NT115S
150	7.6	36	54.5	100	NTB36LH	NT36LH
200	7.6	50	54.5	100	NTB50LH	NT50LH
290	7.6	80	54.5	100	NTB80LH	NT80LH
370	7.6	105	54.5	100	NTB105LH	NT105LH
450	9.0	115	62	100	NTB115H	NT115H
550	9.0	140	62	100	NTB140H	NT140H
762	9.0	190	79.4	100	NTB190H	NT190H

Coloured Nylon Cable Ties



Coloured Nylon Cable Ties are manufactured from Nylon 66 material and are available in the following colours; Blue, Green, Orange, Purple, Red, Silver and Yellow.

Material Nylon 66
Features Self Extinguishing to UL94-V2
Operating Temp -40 to +85°C

Length	Width	Bundle Max Dia	Min Tensile Strength kg	Bag QTY	TieCode
200	4.8	50	22.2	100	NT * 50S
300	4.8	80	22.2	100	NT * 75S

* Please add the colour code when ordering (BL)Blue (GR)Green (O)Orange (P)Purple (R)Red (S)Silver (Y)Yellow.

Heavy Duty Ties



Nylon Cable Ties are manufactured from Nylon 66 material which is Zero Halogen, Low Smoke self extinguishing to UL94-V2. These ties are designed for use where extra tensile strength is required.

Material Nylon 66
Features Self Extinguishing to UL94-V2
Operating Temp -40 to +85°C

Length	Width	Min Tensile Strength kg	Bag QTY	Tie Code Black
450	12.7	114	100	NTB118XH
550	12.7	114	100	NTB140XH
760	12.7	114	100	NTB260XH
1000	12.7	114	100	NTB300XH

Cable Tie Accessories

Masonry Monts

Description	Bag QTY	Code
Masonry Knock In Mont - Cable Ties up to 9.0mm	100	MM9



Cable Tie Saddle

Description	Bag QTY	Code
Cable Tie Saddle - Cable Ties up to 5.0mm	100	NCCB5
Cable Tie Saddle - Cable Ties up to 11.0mm	100	NCCB11
Cable Tie Saddle - Cable Ties up to 18.0mm	100	NCCB18



Eyelets

Description	Bag QTY	Code
Black cable ties eyelet - Cable Ties up to 4.8mm	100	RCTMB1
Black cable ties eyelet - Cable Ties up to 9.0mm	100	RCTMB2



4 Way Adhesive Base

Length	Width	Max Tie Width	Description	Bag QTY	Code
19	19	3.6	Black 4 way adhesive base	100	RNBB1
25	25	4.8	Black 4 way adhesive base	100	RNBB2



Band-It Stainless Steel - Reusable Ties



The **Reusable Cable Ties** are manufactured from 316 Stainless Steel and are Low Smoke, Zero Halogen PPA coated as standard. They can be tensioned by hand or with the AE201, C075 tension tool.

- Ideal for cable bundling in harsh environments.
- Thick coating protects cables & hands.
- Vibration proof.

Material Features 316 Stainless Steel / PPA LS Coating
Vibration Proof / Suitable for Harsh Environments
UL Listed, DNV Approved, Lloyds Register listed

Length	Width	Bundle Max Dia	Min Tensile Strength kg	Tie Code	Bag QTY
152	6.4	38	35	AE111	100
229	6.4	63	35	AE112	100
305	6.4	86	35	AE113	100
457	6.4	137	35	AE114	100
610	6.4	185	35	AE115	100
152	9.6	38	46	AE311	100
229	9.6	63	46	AE312	100
305	9.6	86	46	AE313	100
457	9.6	137	46	AE314	100
610	9.6	185	46	AE315	100
762	9.6	231	46	AE316	100
914	9.6	280	46	AE317	100

Note: Available in Black as standard, other colours available on request

Band-It Stainless Steel Ball-Lok Ties



The **Ball-Lok Cable Ties** are manufactured from 316 Stainless Steel and are available in both plain or Epoxy coated for greater corrosion resistance. They feature self locking ball lock enabling speedy installation. They can be tensioned by hand or with the KE502 & KE922 tools.

Material Features 316 Stainless Steel / Epoxy Coating
Tensile Strength / Speedy Installation

Length	Width	Bundle Max Dia	Tensile Strength kg	Coated Tie Code	Bag Qty	Uncoated Tie Code	Bag Qty
201	4.6	50	68	KE0228	100	KE0128	100
360	4.6	102	68	KE0248	100	KE0148	100
520	4.6	152	68	KE0258	100	KE0158	100
679	4.6	203	68	KE0268	100	KE0168	100
838	4.6	254	68	KE0278	100	KE0178	100
201	8.0	50	80	KE0428	100	KE0328	100
360	8.0	102	80	KE0448	100	KE0348	100
520	8.0	152	80	KE0458	100	KE0358	100
679	8.0	203	80	KE0468	100	KE0368	100
838	8.0	254	80c	KE0478	100	KE0378	100

Stainless Steel 316 Tie



The **316 Ties** are manufactured from 316 Stainless Steel which has a high Molybdenum and Nickel content which increases its resistance to corrosion. Developed for highly corrosive applications with good mechanical properties. They can be tensioned by hand or with the CT511/KE922 tools.

Material Features 316 Stainless Steel / Epoxy Coating
Versatile cost saving tie

Length	Width	Bundle Max Dia	Tensile Strength kg	Coated Tie Code	Uncoated Tie Code	Bag QTY
200	4.6	50	46	SSCT200X4.6-C	SSCT200X4.6	100
360	4.6	102	46	SSCT360X4.6-C	SSCT360X4.6	100
370	7.9	110	114	SSCT370X7.9-C	SSCT370X7.9	100
500	7.9	140	114	SSCT500X7.9-C	SSCT500X7.9	100

Note: Available in Black as standard and also in Red for Fire Alarm system installations

Multi Purpose Fixing Band



Multi Purpose Fixing Band is a versatile product used in many applications. It is available in three widths 12, 17 & 26mm manufactured from Carbon Steel & LSF coated as standard. Other materials offered are Copper and Stainless Steel.

Material Features Galvanised Carbon Steel / Copper / Stainless Steel
Pre-Drilled / LSF Coated / No wastage

Width	Length (Metre)	Hole Size	Colour	Band Code
12	10	4.0	Black	ARB12B
12	10	4.0	Galvanised	ARB12G
12	10	4.0	Orange	ARB12O
12	10	4.0	Red	ARB12R
12	10	4.0	White	ARB12W
17	10	6.0	Black	ARB17B
17	10	6.0	Galvanised	ARB17G
17	10	6.0	Orange	ARB17O
17	10	6.0	Red	ARB17R
17	10	6.0	White	ARB17W
26	10	8.0	Black	ARB26B
26	10	8.0	Galvanised	ARB26G



Width	Length (Metre)	Hole Size	Colour	Band Code
12	10	4.0	Stainless Steel	ARB12SS
12	10	4.0	Copper	ARB12C
17	10	6.0	Stainless Steel	ARB17SS
17	10	6.0	Copper	ARB17C

Nylon Cable Tie Tool



Code	Description
CT411	Metal tool designed for Nylon cable ties up to 4.8mm width. Complete with adjustable tension and automatic tie excess cut off.

Nylon Cable Tie Tool



Code	Description
CT421	Metal tool designed for Nylon cable ties up to 9.0mm width.

Stainless Steel Tensioning Tool



Code	Description
CT511	Metal tool designed for Stainless Steel cable ties up to 4.8mm width. Complete with tension indicator and automatic tie excess cut off.

Manual Tensioning Tool



Code	Description
AE201	Hand tensioning tool for AE reusable Ties range.

Manual Tensioning Tool



Code	Description
KE922	Manual tensioning tool with cut off lever.

Bantam Tool



Code	Description
C075	For tensioning and cutting ties. 3 way handle position for pistol grip or two hand operation.

Ball-Lok Tool



Code	Description
K502	Ball-Lok tool with adjustable tension and automatic cut off.

Multi-Lok Tool



Code	Description
M503	Multi-Lok tool with adjustable tension and automatic cut off.

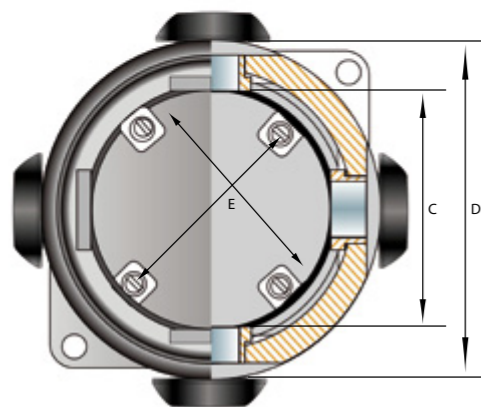
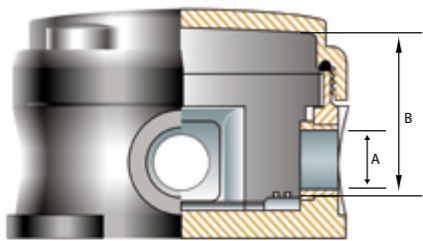
CCG Utility Box



The Utility Box is a general purpose junction box suitable for all surface industrial applications. It is manufactured from impact, corrosion and UV resistant glass reinforced polyester compound and provides 1,2,3 or 4 way versatility. Screw on lid provides ease of installation and when locked with the special locking key prevents unauthorised tampering.

- No exposed metal parts
- Dust and water proof to IP68 when used with approved Remora glands
- One box offers 1, 2, 3 or 4 way versatility for reduced stock holding
- No drilling or tapping of cable entries required
- Mounting studs provided for DIN rail terminals
- Internal earth continuity ring to earth gland entries

Material UV Resistant Glass Reinforced Polyester Compound
IP Ratings IP66 / 67/ 68
Standard SABS 2333 / IEC 600529



4 WAY	Size	Dimensions					Box Code
		A	B	C	D	E	
	1 - M20	M20x1.5	49	80	122	75	102101
	2 - M25	M25x1.5	53	110	158	86	102102



CCG Utility Box Assemblies

Through box assembly. IP66/67/68 weatherproof suitable for indoor / outdoor use, above and below ground. Ideal for industrial applications, outdoor lighting etc. Designed to join two steel wire armoured cables.

2 x M20 IP Plus Corrosion Guards glands for SWA cables.

2 WAY	Size	Entry Thread	Armoured Cable OD	Assembly Code
2 WAY	M20s	M20x1.5	11.5 to 16mm OD	102101/A1
	M20	M20x1.5	14.5 to 21mm OD	102101/A2



3 Way box assembly. IP66/67/68 weatherproof suitable for indoor / outdoor use, above and below ground. Ideal for industrial applications, outdoor lighting etc. Designed to join two steel wire armoured cables and loop off with one flex cable.

2 x M20 IP Plus Corrosion Guards glands for SWA cables & 1 x M20 Posiflex gland for unarmoured cables.

3 WAY	Size	Entry Thread	Armoured Cable OD	Unarmoured Cable OD	Assembly Code
3 WAY	M20s	M20x1.5	11.5 to 16mm OD	3 to 8mm OD	102101/A3
	M20s	M20x1.5	11.5 to 16mm OD	8 to 12mm OD	102101/A4
	M20	M20x1.5	14.5 to 21mm OD	11 to 14.5mm OD	102101/A5



4 Way box assembly. IP66/67/68 weatherproof suitable for indoor / outdoor use, above and below ground. Ideal for industrial applications, outdoor lighting etc. Designed to join two steel wire armoured cables and loop off with two flex cables.

2 x M20 IP Plus Corrosion Guards glands for SWA cables & 2 x M20 Posiflex gland for unarmoured cables.

4 WAY	Size	Entry Thread	Armoured Cable OD	Unarmoured Cable OD	Assembly Code
4 WAY	M20s	M20x1.5	11.5 to 16mm OD	3 to 8mm OD	102101/A6
	M20s	M20x1.5	11.5 to 16mm OD	8 to 12mm OD	102101/A7
	M20	M20x1.5	14.5 to 21mm OD	11 to 14.5mm OD	102101/A8



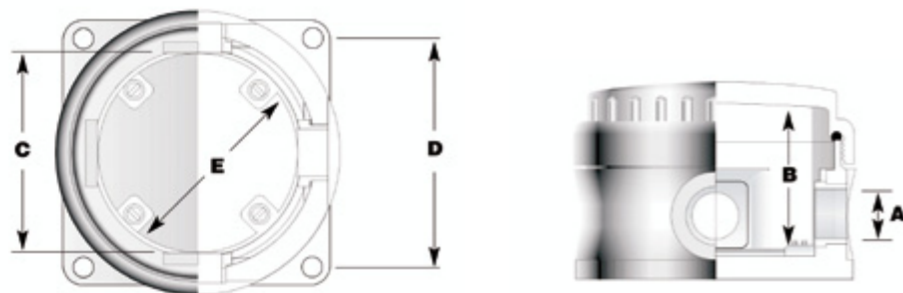
CCG Handifit Junction Box

The **Handifit Box** is a general purpose junction box suitable for all surface applications. It is manufactured from impact, corrosion and UV resistant glass reinforced polyester compound, and this provides 1,2,3 or 4 way versatility. Screw on lid provides ease of installation and when locked with the special locking key prevents unauthorised tampering.

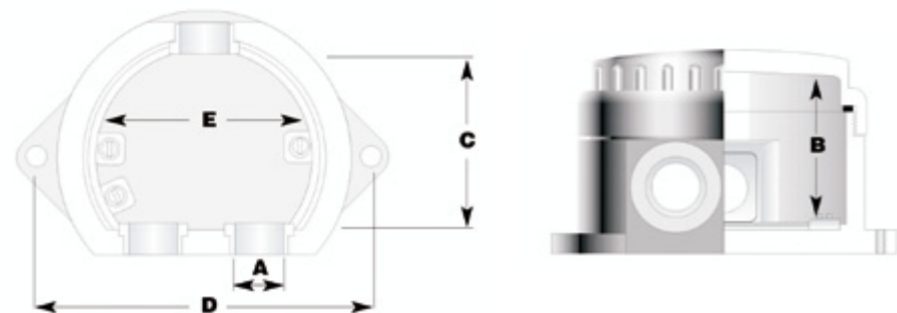


- No exposed metal parts
- Dust and water proof to IP68 when used with approved Remora glands
- One box offers 1, 2, 3 or 4 way versatility for reduced stock holding
- No drilling or tapping of cable entries required
- Mounting studs provided for DIN rail terminals
- Internal earth continuity ring to earth gland entries

Material UV Resistant Glass Reinforced Polyester Compound
IP Ratings IP68
Standard SABS 2333 / IEC 600529



4 WAY	Size	Dimensions					Box Code
		A	B	C	D	E	
	0 - M20s	M20x1.5	52	71	77	65	0650-0
	1 - M20	M20x1.5	58	89	90	80	065001
	2 - M25	M25x1.5	67	107	107	98	065002
	3 - M32	M32x1.5	105	165	167	140	065003



Y BOX	Size	Dimensions					Box Code
		A	B	C	D	E	
	0 - M20s	M20x1.5	52	61	107	65	0651-0
	1 - M20	M20x1.5	58	81	127	80	065101
	2 - M25	M25x1.5	67	91	150	98	065102
	3 - M32	M32x1.5	105	152	235	140	065103

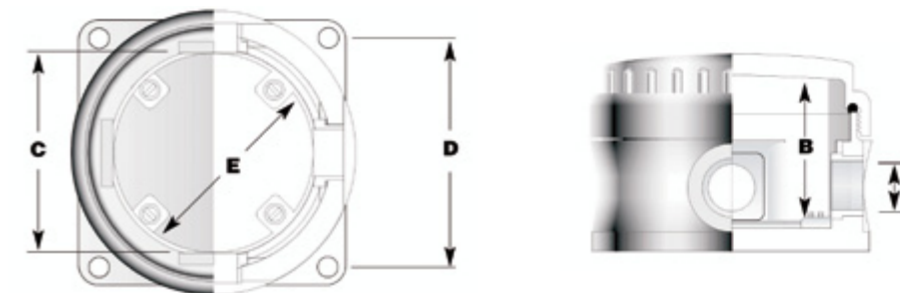
CCG Posifit EExe Junction Box

The **POSIFIT EExe 4-Way / Y-Boxes** are supplied for use in increased safety areas. They are manufactured from impact, corrosion and UV resistant glass reinforced polyester compound, and provides 1,2,3 or 4 way versatility.

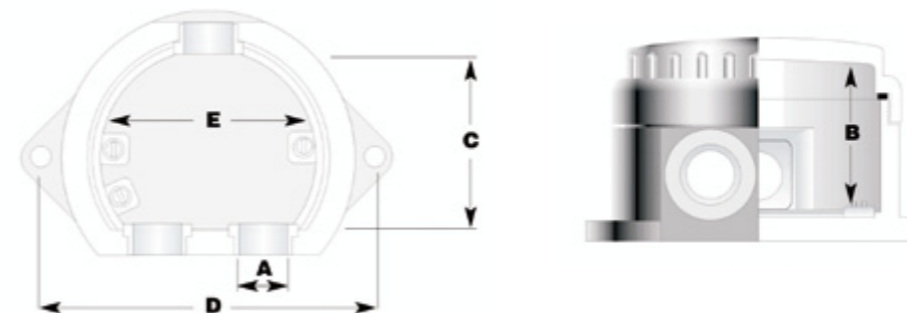


- No exposed metal parts
- Dust and water proof to IP68 when used with approved Remora glands
- One box offers 1, 2, 3 or 4 way versatility for reduced stock holding
- No drilling or tapping of cable entries required
- Mounting studs provided for DIN rail terminals
- Internal earth continuity ring to earth gland entries
- High temperature resistance & anti-static properties
- Raised dome lid facilitates connections to be made outside of the box

Material UV Resistant Glass Reinforced Polyester Compound
IP Ratings IP 66/6768
Standard CENELEC / ATEX Zones 1, 2, 21 & 22 EExe II



4 WAY	Size	Dimensions					Box Code
		A	B	C	D	E	
	0 - M20s	M20x1.5	52	71	77	65	1003-0
	1 - M20	M20x1.5	58	89	90	80	100301
	2 - M25	M25x1.5	67	107	107	98	100302
	3 - M32	M32x1.5	105	165	167	140	100303



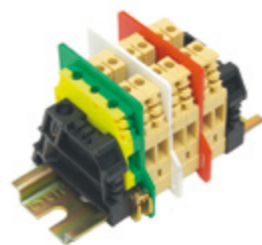
Y BOX	Size	Dimensions					Box Code
		A	B	C	D	E	
	0 - M20s	M20x1.5	52	61	107	65	1009-0
	1 - M20	M20x1.5	58	81	127	80	100901
	2 - M25	M25x1.5	67	91	150	98	100902
	3 - M32	M32x1.5	105	152	235	140	100903

Terminal Assembly Option Page 63

EExe Terminal Assemblies

The POSIFIT EExe 4-Way / Y-Box terminal assemblies are available supplied & fitted ready for installation. All terminals fitted are Exe non-sparking. Below is a full list of available terminal assemblies.

Junction Box Size	Rail Size	Terminal Type & Size	Maximum Qty
0 - M20s	35	2.5 mm ²	4
0 - M20s	15	Mini 4mm ²	6
1 - M20	35	2.5 mm ²	10
1 - M20	35	4 mm ²	8
1 - M20	35	6 mm ²	6
1 - M20	35	10 mm ²	5
1 - M20	35	16 mm ²	4
1 - M20	15	Mini 4mm ²	8
2 - M25	35	2.5 mm ²	12
2 - M25	35	4 mm ²	10
2 - M25	35	6 mm ²	8
2 - M25	35	10 mm ²	7
2 - M25	35	16 mm ²	6
2 - M25	35	35 mm ²	3
2 - M25	35	50 mm ²	3
2 - M25	15	Mini 4mm ²	10
3 - M32	35	2.5 mm ²	20
3 - M32	35	4 mm ²	16
3 - M32	35	6 mm ²	12
3 - M32	35	10 mm ²	12
3 - M32	35	16 mm ²	10
3 - M32	35	25 mm ²	7
3 - M32	35	35 mm ²	6
3 - M32	35	70 mm ²	5
3 - M32	15	Mini 4mm ²	14



Junction Box Locking Key

Size	Description	Code
1 - M20	M20 Utility Locking Key	UTS1
2 - M25	M25 Utility Locking Key	UTS2

Size	Description	Code
0 - M20s	M20s Handifit / Posifit Locking Key	DIPS0
1 - M20	M20 Handifit / Posifit Locking Key	DIPS1
2 - M25	M25 Handifit / Posifit Locking Key	DIPS2
3 - M32	M32 Handifit / Posifit Locking Key	DIPS3

Size	Description	Code
TS32	2m length steel slotted rail	TS32-1
TS35	2m length steel slotted rail	TS35-1

Anti-tamper special locking key prevents unauthorised entry.



Magic Gel

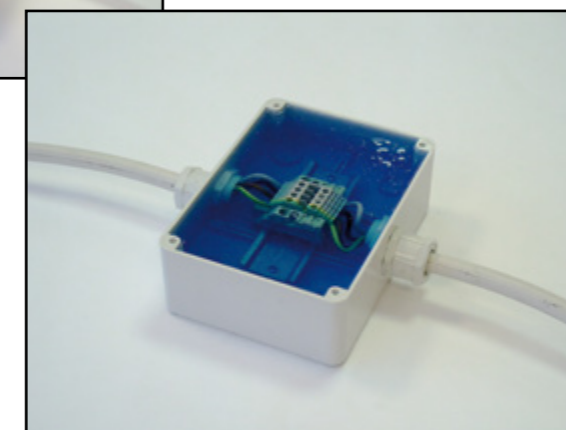
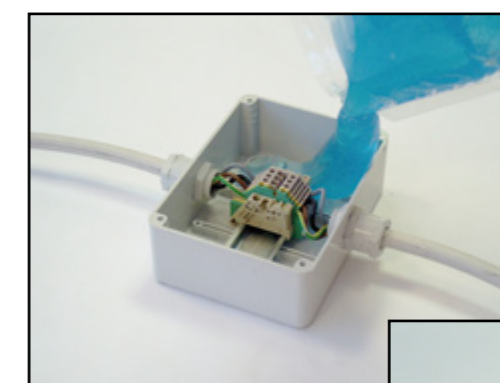
Magic Gel is a two component gel with very high dielectric, fast cross linking, thermal and sealing characteristics, contained in two bottles: the needed quantity of the two components is poured in the small container in the range of 1:1, then mixed with the supplied mixing spoon and poured in the particular to fill.



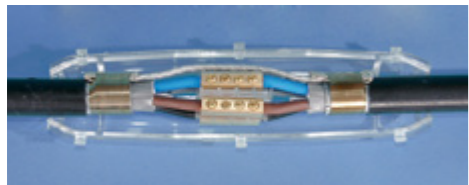
Product Benefits

- It gives a degree of protection higher than IP68
- Non toxic and safe
- Fast in cross linking (<10'), without temperature increase
- It cross links also at low temperature
- Low viscosity
- Re-enterable also after long working periods
- Without shelf-life
- For installation up to 1kV
- Dielectric strength: >20 kV/mm

Gell Code	Description	Gell Volume
MG300	2 bottles only	300ml
MG1000	2 bottles, 1 small mixing container, 1 mixing spoon	1000ml
MG2000	2 bottles, 1 small mixing container, 1 mixing spoon	2000ml
MG3000	2 bottles, 1 small mixing container, 1 mixing spoon	3000ml



RCM Resin Joints - Straight Joint 600/1000V



The RCM Range of Resin Joints are designed for 600/1000v cables with stranded copper or solid aluminium conductors up to 400mm² PVC, XLPE OR EPR insulated, PVC sheathed single wire armoured, aluminium strip armoured or unarmoured cables. The joints have been specifically designed to offer the user quick, clean & efficient jointing featuring snap lock shells & easy pour two part resin.

Material Standard Polyurethane Two-Part Resin
Designed to meet the requirements of BS6910, 7888, CENELEC HD623 S1 & EN50393:2006

Size	Cable Diameter Max	Shell Dimensions		Joint Kit Code	Joint Kit Code with Mechanical Connectors
		Length	Width		
1.5 - 6mm ²	20	200	35	RCM0	RCM0+C
10 - 16mm ²	30	250	45	RCM1	RCM1+C
> 25mm ²	34	320	60	RCM2	RCM2+C
35 - 95mm ²	48	450	75	RCM3	RCM3+C
> 120mm ²	56	550	100	RCM4	RCM4+C
150 - 185mm ²	60	650	175	RCS5	RCS5+C
240 - 300mm ²	87	950	205	RCS6	RCS6+C

Sizing Chart

No. of Cores	Cable Size mm ²															
	1.5	2.5	4	6	10	16	25	35	50	70	95	120	150	185	240	300
2	RCM0				RCM1		RCM2		RCM3			RCM4		RCS6		
3	RCM0			RCM1		RCM2		RCM3			RCM4		RCS5	RCS6		
4	RCM0			RCM1		RCM2		RCM3			RCM4		RCS5	RCS6		
5	RCM0															
6	RCM1															
7	RCM1															
8	RCM1															
10	RCM2															
12	RCM3															
16	RCM3															

RCB Resin Joints - Branch Joint 600/1000V



The RCB Range of Resin Joints are designed for 600/1000v cables with stranded copper or solid aluminium conductors up to 35mm² PVC, XLPE OR EPR insulated, PVC sheathed single wire armoured, aluminium strip armoured or unarmoured. The joints have been specifically designed to join three equal or smaller sized cables. They offer quick, clean & efficient jointing with snap lock shells & easy pour two part resin.

Material Standard Polyurethane Two-Part Resin
Designed to meet the requirements of BS6910, 7888, CENELEC HD623 S1 & EN50393:2006

Size	Cable Diameter Max	Shell Dimensions		Joint Kit Code	Joint Kit Code with Mechanical Connectors
		Length	Width		
1.5 - 16mm ²	20	190	60	RCB16	RCB16+C
25 - 35mm ²	23	335	110	RCB35	RCB35+C

RCU Universal Joints Branch & Straight Jointing 600/1000V



The RCU Range of Resin Joints are designed for 600/1000v cables with stranded copper or solid aluminium conductors up to 185mm² PVC, XLPE OR EPR insulated, PVC sheathed single wire armoured, aluminium strip armoured or unarmoured. The joints have been specifically designed to join two, three or four equal or smaller sized cables. They offer quick, clean & efficient jointing.

Material Standard Polyurethane Two-Part Resin
Designed to meet the requirements of BS6910, 7888, CENELEC HD623 S1 & EN50393:2006

Size	Max Branch Cable	Cable Diameter Max	Shell Dimensions		Joint Kit Code	Joint Kit Code with Mechanical Connectors
			Length	Width		
1.5	2.5mm ²	40	175	40	RCU0	RCU0+C
4	6mm ²	65	220	65	RCU1	RCU1+C
10	25mm ²	80	300	80	RCU2	RCU2+C
35	50mm ²	95	400	95	RCU3	RCU3+C
70	95mm ²	110	500	110	RCU4	RCU4+C
120	185mm ²	160	500	150	RCU5	RCU5+C

Straight Mechanical Connectors



Straight Mechanical Connectors are available in both non shear allen key head connectors 1.5-120mm² & aluminium shear head bolt connectors 150-300mm².

Branch Mechanical Connectors



Branch Mechanical Connectors are available in both non shear allen key head connectors 4-35mm² & aluminium shear head bolt connectors 16-300mm².

Size/Cable Range	Code	Bag QTY
1.5 - 10mm ²	RMC1/0	4
16 - 25mm ²	RMC1/1	4
35 - 50mm ²	RMC1/2	4
25 - 95mm ²	UM95	1
50 - 185mm ²	UM185	1
95 - 300mm ²	UM300	1

Size/Cable Range	Code	Bag QTY
> 35mm ²	P1	1
16 - 95mm ²	WM1	1
50 - 185mm ²	WM2	1
120 - 300mm ²	WM3	1

Tapes

Description	Code	Pack QTY
PVC Adhesive Electrical Tape - 19mm x 20m RemTape is a good quality PVC tape 0.15mm thick, general-purpose PVC insulating tape. Available colours are: Black, Blue, Brown, Grey, Green, Green/Yellow, Orange, Red, Violet, White & Yellow.	PVC1920-*	10
PVC Adhesive Electrical Tape - 19mm x 33m	PVC1933-*	10

Description	Code	Pack QTY
PVC Adhesive Electrical Tape - 19mm x 20m RemTape PHASE packs include two rolls of Black, Blue, Brown & Grey and one roll of Green/Yellow & White.	PVC-PHASE1	10

Description	Code	Pack QTY
Self Amalgamating Tape - 19mm x 9.15m EPR based, high voltage jointing tape. 23 tape can be used as insulation for low voltage applications as well as insulation for joints up to 69kV. Can be stretched up to 100% to give void-free, moisture-resistant installation	3M-23	1

Description	Code	Pack QTY
DENSO Waterproof Tape - 50mm x 10m Corrosion protection of pipes, valves, joints, metal surfaces and cables above and below ground.	DENSO-50	1



Jointing Resin



Size	Code
350ml	CR1
825ml	CR2
1850ml	CR4
3000ml	CR6

Electrical Weatherproof Compound



Size	Code
0.50 Kgs Pack	R391

Material: Non-Hardening Plastic Compound

Electrical Warning Tapes



Description	Code
Underground warning tape 150mm x 365m "CAUTION ELECTRIC CABLES BELOW"	WT-01

Other warning tapes available: Mains Below Street Lighting Cable, Fibre Optic Cable, Telephone Cable, Gas, Water Pipe

IP68 In-line Connector



Entry Thread	Cable Range	Length	Terminal Size	Code
PG16	8.0 - 14.0	134	5 x 1.5-2.5mm ²	RSKV16
PG21	10.0 - 18.0	165	5 x 1.5-6.0mm ²	RSKV21

Material Polystyrene, Flame-Retardant
IP Rating IP68 / 5 Bar 30 min
Description Jointing sleeve with terminal block and IP cable glands

General Purpose Polyolefin Heatshrink



Standard Heat Shrink is a cost effective commercial grade tube used for most applications. Flexible, single thin wall, 2:1 ratio, low shrinkage temperature. UL approved and RoHS compliant.

Material Features Polyolefin
 Min shrink temperature +70°C
 Shrink ratio 2:1
 Tensile strength 14Mpa
 Operating temperature -55°C to +125°C

Standard UL 224 125°C 600V VW-1 600V

Code	Size	Internal Diameter mm		Shrunk Wall Thickness	Bulk Reel Length
		Max	Min		
HS3*	3.0	3.0	1.50	0.44	200
HS6*	6.0	6.0	3.0	0.56	100
HS13*	13.0	13.0	6.5	0.65	50
HS20*	20.0	20.0	10.0	0.80	50
HS25*	25.0	25.0	12.5	0.90	50
HS40*	40.0	40.0	20.0	1.00	50
HS50*	50.0	50.0	25.0	1.00	50
HS80*	80.0	80.0	40.0	1.20	30

* Add colour code (B=Black BR=Brown BL=Blue C=Clear G=Grey GR=Green G/Y=Green Yellow R=RED Y=Yellow) other colours available on request

Heatshrink Mini Kits

Standard Heat Shrink Mini Kit RMK1 is our most popular kit, ideal for electrical contractors. 194 x 100mm long cut lengths in EU harmonised colours; Black, Blue, Brown, Grey, Green/Yellow and White. Sizes from 2.5mm to 13mm supplied diameter. Single thin wall, 2:1 ratio, low shrinkage temperature. UL approved and RoHS compliant.



Kit Code	Internal Diameter mm		Box QTY Length (M)	Colours
	Max	Min		
RMK1	2.5	1.25	10	Black, Blue, Brown, Grey, GR/Yel
	3.0	1.5	10	Black, Blue, Brown, Grey, GR/Yel
	5.0	2.5	5	Black, Blue, Brown, Grey, GR/Yel
	6.0	3.0	5	Black, Blue, Brown, Grey, GR/Yel
	10.0	5.0	50	Black, Blue, Brown, Grey, GR/Yel, White
	13.0	6.5	50	Black, Blue, Brown, Grey, GR/Yel, White

Adhesive Lined Heat Shrink Mini Kit RMK2 is designed to protect electrical and mechanical components against moisture and water. 70 x 100mm long cut lengths in Black and Red. Sizes from 3.0mm to 24mm supplied diameter. 3:1 ratio, low shrinkage temperature. UL approved and RoHS compliant.



Kit Code	Internal Diameter mm		Box QTY Length (M)	Colours
	Max	Min		
RMK2	3.0	1.0	24 & 6	Black & Red
	6.0	2.0	12 & 4	Black & Red
	9.0	3.0	9 & 3	Black & Red
	12.0	4.0	4 & 2	Black & Red
	19.0	6.0	3 & 1	Black & Red
	24.0	8.0	2	Black

Adhesive Lined Dual Wall Heatshrink



Adhesive Lined Heat Shrink is designed to insulate and seal electrical and mechanical products against water and moisture. Dual wall, 3:1 ratio, flame retardant, inner liner of hot melt adhesive. UL approved and RoHS compliant.

Material Features Polyolefin
 Min shrink temperature +80°C
 Shrink ratio 3:1
 Tensile strength 10.4Mpa
 Operating temperature -45°C to +125°C

Standard UL 224 125°C 600V VW-1 600V

Code	Size	Internal Diameter mm		Shrunk Wall Thickness	Length m
		Max	Min		
HSAL3*	3.0	3.0	1.0	0.44	1.2
HSAL6*	6.0	6.0	2.0	0.56	1.2
HSAL12*	12.0	12.0	4.0	0.65	1.2
HSAL19*	19.0	19.0	6.0	0.80	1.2
HSAL30*	30.0	30.0	10.0	0.90	1.2
HSAL40*	40.0	40.0	13.0	1.00	1.2
HSAL50*	50.0	50.0	19.0	1.00	1.2

* Add colour code (B=Black R=Red C=Clear)

Hot Air Heat Guns

HSG1 - Mini Heat Shrink Gun

The cordless hand-held heat shrink gun provides up to 650°C flameless heat. Powered by a refillable butane gas cartridge, it uses standard lighter fuel that is readily available. This heat shrink gun has a waterproof piezo electronic ignition and windproof heating element together with a safety lock trigger. Supplied with a refillable fuel cell, heat shrink deflector nozzle and instructions, it is small, light and easy to use. The mini heat-gun is ideal for shrinking small bore heat shrink tubing up to 25mm diameter without the need for a naked flame or electric power.



HSG2 - Ryobi EHG-2002LCD

This premium HeatGun model has a variable temperature control with LCD temperature display, two air flow settings, an overheat protection sensor and a removable front heat shield. The Ryobi EHG-2002LCD has soft grip inserts for greater control. It is supplied with four nozzles, four scrapers and a scraper plate rod in a handy plastic carry case. Designed for general purpose use, the Ryobi EHG-2002LCD is ideal for installing heat shrink tubing and numerous other applications including moulding plastic, paint stripping, drying, sealing, and de-frosting pipes.

Power Input: 2000W, 230V mains
 Operating Temperature: 50-650°C
 Air Flow: 250/500 litres/min
 Weight: 0.94Kg



Copperbond Earth Rods



Copperbond Earth Rods are the most popular type of rod due to its combination of strength, corrosion resistance and comparative low cost. Made by molecularly bonded 99.99% pure high conductivity copper into a carbon steel core. Electrical, Mechanical and electrically effective bonding protects from corrosion and erosion by the operating environment. Threads formed by roll threading process gives extra strength and durability.

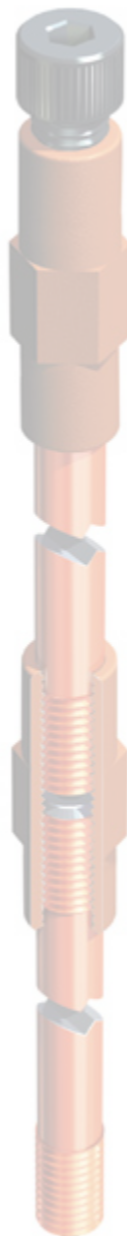
Material: Copper / Carbon Steel

Diameter	Length	Thread	Code
9.5	1200	N/A	ER9.5/1200
16	1200	5/8"	ER16/1200
16	1500	5/8"	ER16/1500
19	1200	3/4"	ER19/1200

For sizes not listed above please contact the sales office.



Diameter	Description	Code
9.5	Copper earth rod & key hole clamp	ER9.5/1200COMP



Earth Rod Couplers



Size	Code
16 mm Rod 5/8 Thread	ERC16
19mm Rod 3/4 Thread	ERC19

Earth Rod Driving Stud



Size	Code
16 mm Rod 5/8 Thread	ERD16
19mm Rod 3/4 Thread	ERD19

Earth Rod Fittings

Earth Rod to Cable



Rod Size	Cable Range	Code
9.5	6 - 35mm ²	ERCC0635
16	16 - 70mm ²	ERCC1670
19	35 - 95mm ²	ERCC3595

Earth Rod to Tape



Rod Size	Max Tape Size	Code
16	26x12	ERTC16/25
19	26x10	ERTC19/25

Earth Rod to Cable Lug



Rod Size	Code
9.5	ERLC9.5
16	ERLC16
19	ERLC19

'U' Bolt Rod Clamp

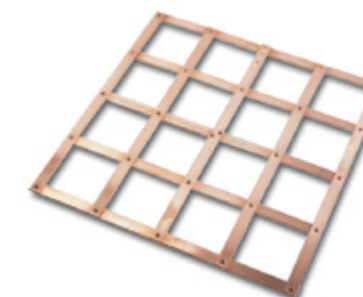


Rod Size	Hole Centres	Code
16	37	ERUB16
19	54	ERUB19

Earth Plates



Dimension	Total Surface Area	Code
600 x 600 x 3	0.73m ²	EM600
900 x 900 x 3	1.63m ²	EM900



Dimension	Total Surface Area	Code
600 x 600 x 3	0.31m ²	EMLAT600
900 x 900 x 3	0.65m ²	EMLAT900

Copper Conductor Ratings

The following conductor ratings are based upon the recommendation of BS 7430 with an initial conductor temperature of 30°C and a maximum temperature of 250°C.

Conductor Size	C.S.A (mm ²)	kA for 1 sec	kA for 3 sec	Conductor Size	C.S.A (mm ²)	kA for 1 sec	kA for 3 sec
12.5 x 1.5mm	18.75	3.3	1.9	31 x 6mm	186	32.7	18.9
12.5 x 3mm	37.5	6.6	3.8	38 x 3mm	114	201	11.6
20 x 1.5mm	30	5.3	3.0	38 x 5mm	190	33.4	19.3
20 x 3mm	60	10.6	6.1	38 x 6mm	228	40.1	23.2
25 x 1.5mm	37.5	6.6	3.8	40 x 3mm	120	21.1	12.2
25 x 3mm	75	13.2	7.6	40 x 4mm	160	28.2	16.3
25 x 4mm	100	17.6	10.2	40 x 5mm	200	35.2	20.3
25 x 6mm	150	26.4	15.2	40 x 6mm	240	42.2	24.4
30 x 2mm	60	10.6	6.1	40 x 6.3mm	252	44.4	25.6
30 x 3mm	90	15.8	9.1	50 x 3mm	150	26.4	15.2
30 x 4mm	120	21.1	12.2	50 x 4mm	200	35.2	20.3
30 x 5mm	150	26.4	15.2	50 x 5mm	250	44.0	25.4
31 x 3mm	93	16.4	9.5	50 x 6mm	300	52.8	30.5
31.5 x 4mm	126	22.2	12.8	50 x 6.3mm	315	55.4	32.0

Bare Copper Tape



Copper Tape is by far the most important component of any earth or structural lightning protection system. All our tape is manufactured in accordance with BS EN 13601(formerly BS 1432). List of our stock lengths as follows.

Material Standard High Conductivity Copper
BS EN 13601

Conductor Size	Weight per coil Kg	Coil Length	Code
12.5 x 1.5	17.0	100m	CT12X1.5-100
12.5 x 3	33.0	100m	CT12X3-100
25 x 3	6.7	10m	CT25X3-10
25 x 3	16.75	25m	CT25X3-25
25 x 3	20.1	30m	CT25X3-30
25 x 3	33.5	50m	CT25X3-50
25 x 6	1.33	40m	CT25X6-40
50 x 6	2.68	20m	CT50X6-20

For sizes not listed above please contact the sales office.

PVC / LSF Covered Copper Tape



PVC & LSF Covered Copper Tape is manufactured in accordance with BS EN 13601(formerly BS 1432). Available in PVC covered Green or Black as standard but can be supplied to order in Grey, Stone, White, Brown & Green/Yellow. LSF kept in Green only.

Material Standard High Conductivity Copper
BS EN 13601

PVC	Conductor Size	Weight per Metre Kg	Code
	25 x 3	0.77	CTPVC25X3
	25 x 6	1.53	CTPVC25X6
	50 x 6	2.95	CTPVC50X6

LSF	Conductor Size	Weight per Metre Kg	Code
	25 x 3	0.77	CTL5F25X3
	25 x 6	1.53	CTL5F25X6
	50 x 6	2.95	CTL5F50X6

Hard Drawn Copper Bar



Hard Drawn Copper Bar is manufactured from high conductivity material to BS EN 12163, suitable for busbar and earthbars.

Material Standard High Conductivity Copper
BS EN 12163

Conductor Size	Weight per Metre Kg	Amperage Rating	Code
25 x 3	0.67	300 amps	CB2503
25 x 6	1.33	460 amps	CB2506
50 x 6	2.67	815 amps	CB5006

For sizes not listed above please contact the sales office.

Earth Tape Accessories

Tape Junction Square



Max Tape Size	Code
25 x 3	CTSQ2503
25 x 6	CTSQ2506
50 x 6	CTSQ5006

Tape Test/Junction Clamp



Max Tape Size	Code
26 x 8	CTTC2503

Bare Copper & PVC Covered Tape Accessories

Non-Metallic Tape Clips



Tape Size	Code
20 x 3	CTPC2003
25 x 3	CTPC2503
50 x 6	CTPC5006

Non-Metallic Tape Clips



Tape Size	Code
25 x 3	CTPCC2503*

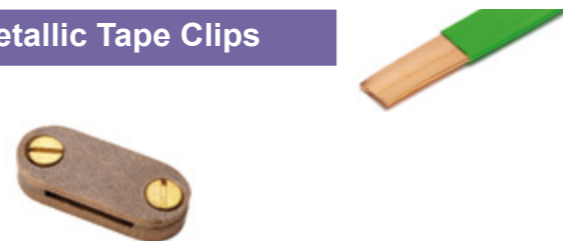
* Indicate colour code:
BR= Brown / B= Black / GR= Green / G= Grey

Metallic Tape Clips



Tape Size	Code
25 x 3	CTC2503
25 x 6	CTC2506
50 x 6	CTC5006

Metallic Tape Clips



Tape Size	Code
25 x 3	CTCC2503
25 x 6	CTCC2506
50 x 6	CTCC5006

Earthing Accessories

Concrete Earth Pit



Size	Code
320x320x192	EPC005

The concrete inspection pit is load rated to 4,500kg & is suitable for most types of earthing protection installations.

Plastic Earth Pit



Size	Code
300x300x212	EPP205

The lightweight inspection pit weighs only 1.8kg yet is load rated to 5,000kg. It has a lockable lid & greater working area compared to the concrete version.

Soil Conditioning - Marconite

Size	Code
25kgs Sack	MARC01

Certain ground conditions make it difficult to obtain a reliable earth resistance, whilst particular installations may require a very low resistance. In such cases, Marconite provides a convenient & permanent solution.

Soil Conditioning - Bentonite

Size	Code
25kgs Sack	BENT01

This is used as an earth-electrode back fill to reduce soil resistivity by retaining moisture. It has the ability to hold its moisture content for a considerable period of time and absorb moisture from the surrounding soil.

Flexible Copper Braid Bonds



Size Length	Width	Code	Max Current Rating
100	6mm ²	FEB100	90
150	6mm ²	FEB150	90
200	25x3	FEB200	250
300	25x3	FEB300	250
400	25x3	FEB400	250
600	25x3	FEB600	250

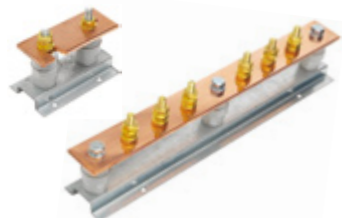
Earth Insulator



Size	Code
M10 / 51 x 29	EI03
M10 / 51 x 29	EI

EI03 = Earth Insulator c/w 2 studs & 3 nuts
EI = Earth Insulator only

Standard Earth Bars



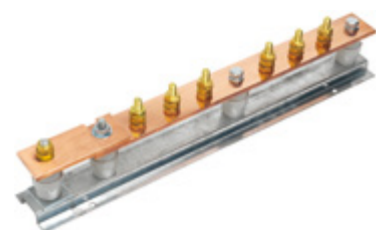
Standard Earth Bars are an effective and convenient way of providing a common earth point. Manufactured from 50x6 copper bar complete with brass stud assemblies set on a steel channel base.

Material Standard High Conductivity Copper
All earth bars are manufactured from 50x6mm copper bar rated to 815amp

Description	Length	Width	Stud Size	Stud Spacing	Code
Test Link	125	70	M10 x 40	50	EBDC
4 way	300	70	M10 x 40	50	EB04
6 way	450	70	M10 x 40	50	EB06
8 way	550	70	M10 x 40	50	EB08
10 way	650	70	M10 x 40	50	EB10
12 way	800	70	M10 x 40	50	EB12
16 way	1050	70	M10 x 40	50	EB16
20 way	1250	70	M10 x 40	50	EB20

The above sizes are stock lengths, we can offer bars to any variation. Please contact the sales office for more information.

Earth Bar Single & Double Disconnecting Link



Disconnecting Link Earth Bars are an effective and convenient way of providing a common earth point. Integral disconnecting link mean the earth bars can be isolated for testing purposes. Manufactured from 50x6 copper bar complete with brass stud assemblies set on a steel channel base.

Material Standard High Conductivity Copper
All earth bars are manufactured from 50x6mm copper bar rated to 815amp

Single	Description	Length	Width	Stud Size	Stud Spacing	Code
	6 way	540	70	M10 x 40	50	EBSC06
	8 way	640	70	M10 x 40	50	EBSC08
	10 way	725	70	M10 x 40	50	EBSC10
	12 way	880	70	M10 x 40	50	EBSC12
	16 way	1130	70	M10 x 40	50	EBSC16
	20 way	1330	70	M10 x 40	50	EBSC20

Double	Description	Length	Width	Stud Size	Stud Spacing	Code
	6 way	600	70	M10 x 40	50	EBDC06
	8 way	730	70	M10 x 40	50	EBDC08
	10 way	800	70	M10 x 40	50	EBDC10
	12 way	960	70	M10 x 40	50	EBDC12
	16 way	1200	70	M10 x 40	50	EBDC16
	20 way	1410	70	M10 x 40	50	EBDC20

The above sizes are stock lengths, we can offer bars to any variation. Please contact the sales office for more information.

ESP M1 Series - Electronic System Protection

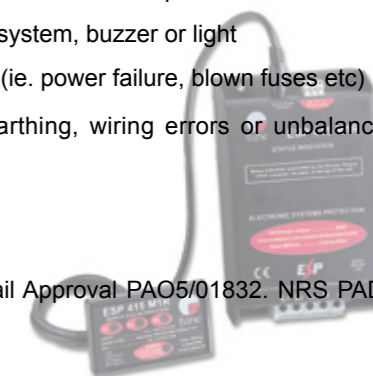


ESP M1 Series are an combined Type 1, 2 and 3 tested protector (to BS EN 61643) for use on mains power distribution systems primarily to protect connected electronic equipment from transient overvoltages on the mains supply, e.g. computer, communications or control equipment. For use at boundaries up to LPZ 0B to protect against flashover (typically the main distribution board location, with multiple metallic services entering) through to LPZ 3 to protect sensitive electronic equipment.

Standard BS EN 61643

Product Benefits

- Very low let-through voltage (enhanced protection to BS EN 62305) between all sets of conductors (phase to neutral, phase to earth, neutral to earth Full Mode protection)
- Full mode design capable of handling partial lightning currents as well as allowing continual operation of protected equipment
- Repeated protection in lightning intense environments
- Innovative multiple thermal disconnect technology for safe disconnection from faulty or abnormal supplies (without compromising protective performance)
- Three way visual indication of protection status and advanced pre-failure warning so you need never be unprotected
- Remote indication facility allows pre-failure warning to be linked to a building management system, buzzer or light
- Changeover active volt free contact enables the protector to be used to warn of phase loss (ie. power failure, blown fuses etc)
- Flashing warning of potentially fatal neutral to earth supply faults (due to incorrect earthing, wiring errors or unbalanced conditions)
- Robust steel housing
- Base provides ultra low inductance earth bond to metal panels
- Compact size for installation in the power distribution board ESP 240 MI has Network Rail Approval PAO5/01832. NRS PADS reference 086/047149



Code	Voltage	Description	Dimensions	
			Length	Width
ESP 240 M1	200 – 280 V	Single phase full-mode protector	180	60
ESP 415 M1	346 – 484 V	3 phase full-mode protector	180	110
ESP 415 M1R	346 – 484 V	3 phase full-mode protector with remote display	180	110



Moisture & dirt resistant enclosure for mounting ESP M1 series outside of control panel

Code	Description	Dimensions - Internal / External		
		Length	Width	Depth
WBX3	IP 67 Polycarbonate enclosure	222 / 230	72 / 80	79 / 85
WBX4	IP 66 Polycarbonate enclosure	225 / 235	150 / 160	100 / 117



ESP M2/M4 available for 12.5 & 25 kA Imp

ESP D1 Series - New - Electronic System Protection



ESP D1 Series are an combined Type 1, 2 and 3 tested protector (to BS EN 61643) for use on mains power distribution systems primarily to protect connected electronic equipment from transient overvoltages on the mains supply, e.g. computer, communications or control equipment. Innovative remote display options allow both protector and display to be mounted in their optimum position. For use at boundaries up to LPZ 0B to protect against flashover (typically the main distribution board location, with multiple metallic services entering) through to LPZ 3 to protect sensitive electronic equipment.

Standard BS EN 61643

Product Benefits

- Very low let-through voltage (enhanced protection to BS EN 62305) between all sets of conductors (phase to neutral, phase to earth, neutral to earth Full Mode protection)
- Full mode design capable of handling partial lightning currents as well as allowing continual operation of protected equipment
- Repeated protection in lightning intense environments
- Innovative multiple thermal disconnect technology for safe disconnection from faulty or abnormal supplies (without compromising protective performance)
- Three way visual indication of protection status and advanced pre-failure warning so you need never be unprotected
- Remote indication facility allows pre-failure warning to be linked to a building management system, buzzer or light
- Changeover active volt free contact enables the protector to be used to warn of phase loss (ie. power failure, blown fuses etc)
- Flashing warning of potentially fatal neutral to earth supply faults (due to incorrect earthing, wiring errors or unbalanced conditions)
- Through terminal facility allows series connection on up to 125A current supplies to eliminate high additive voltage associated with connecting leads on units installed in parallel
- DIN-rail mountable

Code	Voltage	Description	Dimensions		
			Length	Width	Depth
ESP 415 D1	346 – 484 V	3 phase full-mode protector	90	144	68
ESP 240 D1	200 – 280 V	Single phase full-mode protector	90	72	68
ESP 415 D1R	346 – 484 V	3 phase full-mode protector with remote display	90	144	68

ESP 415/XXX Series - Electronic System Protection



ESP 415 series are an Combined Type 1 and 2 tested protector (to BS EN 61643-11) for use on the main distribution board, particularly where a structural Lightning Protection System (LPS) is employed, for equipotential bonding. For use at boundaries up to LPZ 0A to protect against flashover (typically the main distribution board location) through to LPZ 2 to protect electrical equipment from damage.

Standard BS EN 61643

Product Benefits

- Enhanced protection (to BS EN 62305) offering low let-through voltage further minimizing the risk of flashover creating dangerous sparking or electric shock
- Repeated protection in lightning intense environments
- Compact, space saving design
- Indicator shows when the protector requires replacement
- Remote signal contact can indicate the protectors' status through interfacing with a building management system

Code	imp Per Mode	Description	Dimensions		
			Length	Width	Depth
ESP 415/II/TNS	25 kA	Mains protector for class I or II LPS	90	54	68
ESP 415/III/TNS	12.5kA	Mains protector class III or IV LPS, or for overhead lines	90	72	68

ESP 5A/BX and 16A/BX Series - Electronic System Protection



Combined Type 2 and 3 tested protector (to BS EN 61643-11) for use on low current (up to 5 or 16A) single phase systems to protect connected electronic equipment from transient overvoltages on the mains supply, e.g. fire/intruder alarm panels. Protectors with /BX suffix come ready-boxed, to IP66, for use in dirty or damp environments. Available for 90-150 volts, 200-280 volts and 232-350 volts supplies. For use at boundaries LPZ 1 through to LPZ 3 to protect sensitive electronic equipment.

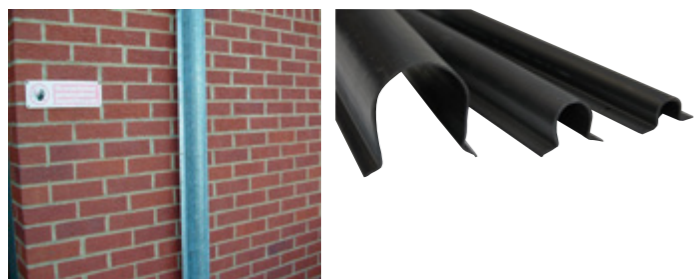
Standard BS EN 61643

Product Benefits

- Very low let-through voltage (enhanced protection to BS EN 62305) between all sets of conductors (phase to neutral, phase to earth, neutral to earth Full Mode protection)
- Compact size for easy incorporation in the protection system
- Removable DIN rail foot for simple clip-on mounting to top hat DIN rail (unboxed versions)
- Available ready-boxed to IP 66 for use in dirty or damp environments (code with /BX suffix)

Code	Voltage	Description	Dimensions		
			Length	Width	Depth
ESP 240-5A	200 – 280 V	In-line protector for supplies up to 5A	120	38	39
ESP 240-5A/BX	200 – 280 V	Ready-boxed in-line protector for supplies up to 5A	120	80	56
ESP 240-16A	200 – 280 V	In-line protector for supplies up to 16 A	120	38	39
ESP 240-16A/BX	200 – 280 V	Ready-boxed in-line protector for supplies up to 16 A	120	80	56

Anti-Vandal Guard



Anti-Vandal Guard is available manufactured from Glavanised Steel or HDPE plastic. Designed for use with cables and pipes where protection is required from accidental damage or vandalism, designed to be installed on walls, fences and telegraph poles.

Material HDPE Plastic / Steel Hot Dip Galvanised

Product Benefits

- Protection of vertical/horizontal cable runs, pipes, air conditioning tubes etc
- Manufactured from HDPE which provides an excellent balance of rigidity and high impact strength or galvanised steel for extra strength and protection from damage or vandalism
- Easily installed
- Supplied with pre-drilled screw fixing holes for easy installation. Other lengths and diameters available on request subject to minimum production runs
- One-way fixing "Clutch Screws" are advised to offer maximum protection

Code	Description	Max Diameter to Protect	Dimensions	
			Width	Length
AVHD25	Anti Vandal Guard - HDPE 25mm x 3m	25	65	3m
AVHD38	Anti Vandal Guard - HDPE 38mm x 3m	38	70	3m
AVHD80	Anti Vandal Guard - HDPE 80mm x 3m	80	110	3m
AVHD25-GALV	Anti Vandal Guard - Galvanised Steel 25mm x 2.5m	25	94	2.5m
AVHD40-GALV	Anti Vandal Guard - Galvanised Steel 40mm x 2.5m	40	150	2.5m
AVHD75-GALV	Anti Vandal Guard - Galvanised Steel 75mm x 2.5m	75	175	2.5m

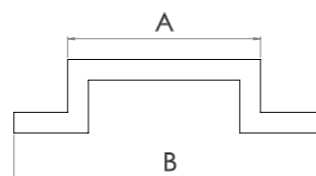
www.remora.net

Anti-Vandal Tape Guard



Anti-Vandal Tape Guard is manufactured from Glavanised Steel, designed for use on flat tapes where protection is required from accidental damage, vandalism or theft.

Material Steel Hot Dip Galvanised



Code	Description	Dimensions		
		A	B	L
AVCT	Anti Vandal Guard - Galvanised Steel 32.5x12.5mm x 3m	12.5	32.5	3m

Mechanical Fixing Systems

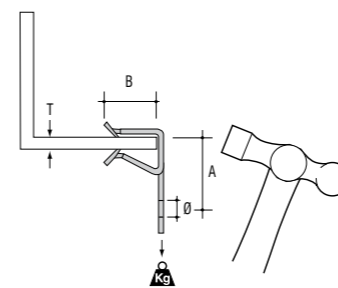
Universally Accepted fixing system, with products manufactured from spring steel in accordance to BS 1449 Part 2 grade CS70 other products included rolled, forged and plastic components. Most components within this system are interchangeable and can be used in combination with each other.

Material Standard Spring Steel
BS 1449 Part 2 Grade CS70

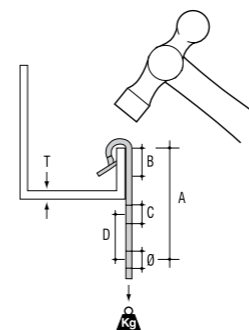
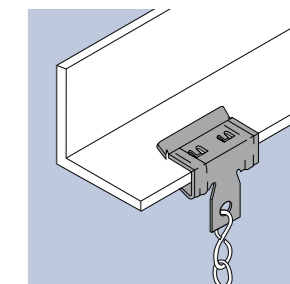
Full Range Kept in Stock



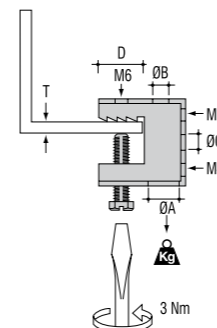
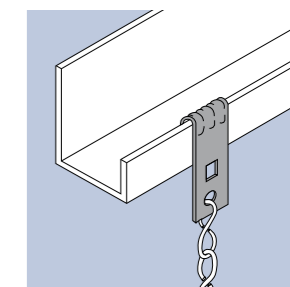
Full and short form catalogues available, please contact the sales office for your copy.



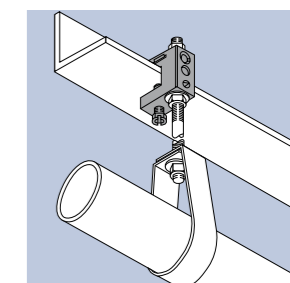
Code	Dimensions				Load Rating Kg	Box QTY
	T	Ø	A	B		
AH-153	1.5-3	6.5	16	12.5	72	100
AH-38	3-8	6.5	18	20.3	90	100
AH-814	8-14	6.5	26	20.3	90	100
AH-1420	14-20	6.5	30	26.6	90	100



Code	Dimensions						Load Rating Kg	Box QTY
	T	Ø	A	B	C	D		
AV-155	1.5-5	6.5	42	14	6.5	12	72	100
AV-57	5-7	6.5	42	15	6.5	12	72	100

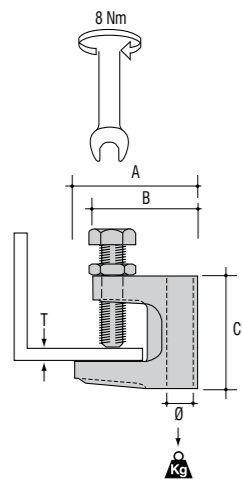


Code	Dimensions					Load Rating Kg	Box QTY
	T	ØA	ØB	ØC	D		
FH-65	Max18	12.7	6.5	6.5	19.5	45	100
FH-107	Max18	10.7	10.7	6.5	19.5	45	100

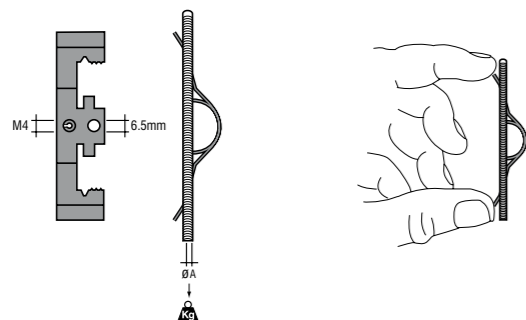
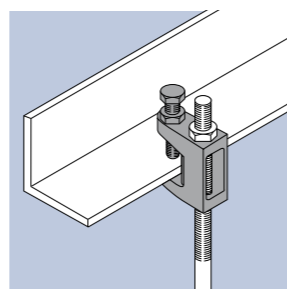


Universally Accepted fixing system, with products manufactured from spring steel in accordance to BS 1449 Part 2 grade CS70 other products included rolled, forged and plastic components. Most components within this system are interchangeable and can be used in combination with each other.

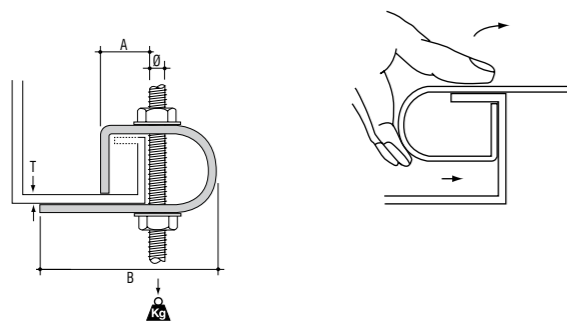
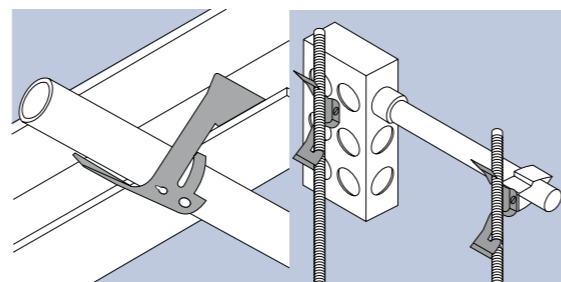
Material Spring Steel
Standard BS 1449 Part 2 Grade CS70



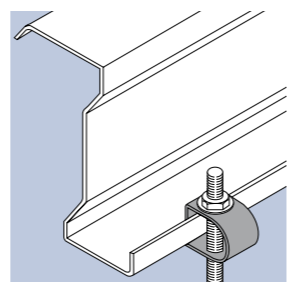
Code	Dimensions					Load Rating Kg	Box QTY
	T	Ø	A	B	C		
FC-11	Max19	11	50	42	45	250	25
FC-10T	Max19	M10	50	42	45	250	25



Code	Dimensions	Load Rating Kg	Box QTY
	ØA		
FM-313T	M6 / M8 / M10	10	100
FM-320T	M6 / M8 / M10	10	100

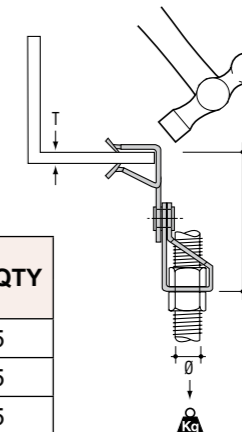


Code	Dimensions				Load Rating Kg	Box QTY
	T	Ø	A	B		
PD	<4	12	15	85	40	50

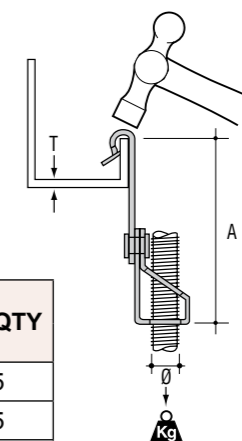
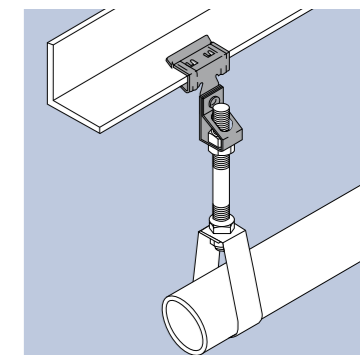


Universally Accepted fixing system, with products manufactured from spring steel in accordance to BS 1449 Part 2 grade CS70 other products included rolled, forged and plastic components. Most components within this system are interchangeable and can be used in combination with each other.

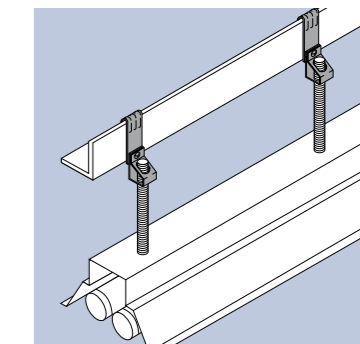
Material Spring Steel
Standard BS 1449 Part 2 Grade CS70



Code	Dimensions			Load Rating Kg	Box QTY
	T	Ø	A		
AH153-AM127	1.5-3	12.7	44	68	25
AH38-AM127	3-8	12.7	46	68	25
AH814-AM127	8-14	12.7	54	68	25
AH1420-AM127	14-20	12.7	68	68	25
AH153-AM6T	1.5-3	M6	44	68	25
AH38-AM6T	3-8	M6	46	68	25
AH814-AM6T	8-14	M6	54	68	25
AH1420-AM6T	14-20	M6	68	68	25
AH153-AM8T	1.5-3	M8	44	68	25
AH38-AM8T	3-8	M8	46	68	25
AH814-AM8T	8-14	M8	54	68	25
AH1420-AM8T	14-20	M8	68	68	25
AH153-AM10T	1.5-3	M10	44	68	25
AH38-AM10T	3-8	M10	46	68	25
AH814-AM10T	8-14	M10	54	68	25
AH1420-AM10T	14-20	M10	68	68	25



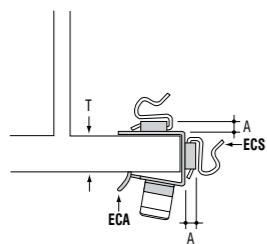
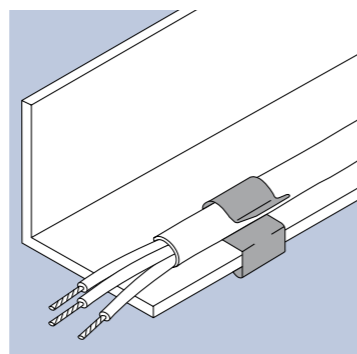
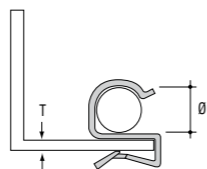
Code	Dimensions			Load Rating Kg	Box QTY
	T	Ø	A		
AV155-AM127	1.5-5	12.7	70	68	25
AV155-AM6T	1.5-5	M6	70	68	25
AV155-AM8T	1.5-5	M8	70	68	25
AV155-AM10T	1.5-5	M10	70	68	25
AV57-AM127	5-7	12.7	70	68	25
AV57-AM6T	5-7	M6	70	68	25
AV57-AM8T	5-7	M8	70	68	25
AV57-AM10T	5-7	M10	70	68	25



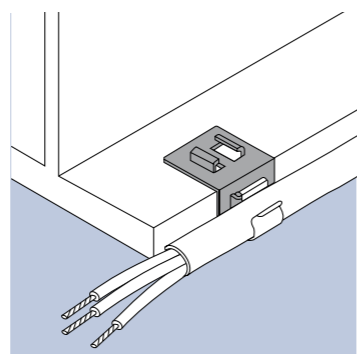
Universally Accepted fixing system, with products manufactured from spring steel in accordance to BS 1449 Part 2 grade CS70 other products included rolled, forged and plastic components. Most components within this system are interchangeable and can be used in combination with each other.

Material Spring Steel
Standard BS 1449 Part 2 Grade CS70

Code	Dimensions		Box QTY
	T	O	
ECS-67	2-4	6-7	100
ECS-89	2-4	8-9	100
ECS-1011	2-4	10-11	100
ECS-1214	2-4	12-14	100
ECS-1519	2-4	15-19	100
ECS-2024	2-4	20-24	100
ECS-2532	2-4	25-32	100
ECM-67	4-7	6-7	100
ECM-89	4-7	8-9	100
ECM-1011	4-7	10-11	100
ECM-1214	4-7	12-14	100
ECM-1519	4-7	15-19	100
ECM-2024	4-7	20-24	100
ECM-2532	4-7	25-32	100
ECL-67	8-12	6-7	100
ECL-89	8-12	8-9	100
ECL-1011	8-12	10-11	100
ECL-1214	8-12	12-14	100
ECL-1519	8-12	15-19	100
ECL-2024	8-12	20-24	100
ECL-2532	8-12	25-32	100



Code	Dimensions		Box QTY
	T	A	
ECA-1215	12-15	2-4	100
ECA-1520	15-20	2-4	100

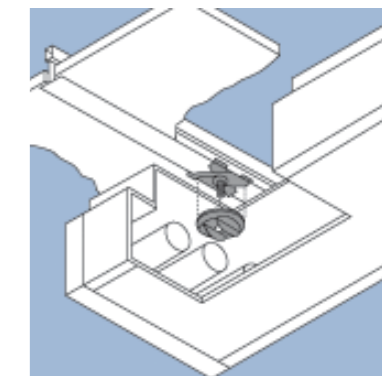


Universally Accepted fixing system, with products manufactured from spring steel in accordance to BS 1449 Part 2 grade CS70 other products included rolled, forged and plastic components. Most components within this system are interchangeable and can be used in combination with each other.

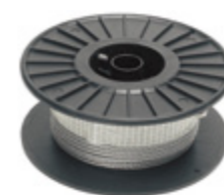
Material Spring Steel
Standard BS 1449 Part 2 Grade CS70



Code	Dimensions			Load Rating Kg	Box QTY
	O	A	B		
JHX-16SW	M6	16	25	9	100
JHX-16S	M6	16	25	22	100
JHX-38S	M6	38	25	22	100



Catenary Wire



Galvanised Steel Catenary Wire is available in three stock lengths and three sizes. We also keep a range of PVC coated catenary wire which is available clear and or in solid colours as required. Ropes can also be coated to suit your particular application and non standard lengths are available to order.

Material Galvanised Steel

Standard	Length	Width	Code	Min Breaking Loads Kgs
	30	3	CW30-3	190
100	3	CW100-3	190	
30	4	CW30-4	350	
100	4	CW100-4	350	
30	6	CW30-6	760	
100	6	CW100-6	760	

PVC Coated	Length	Width	Code	Min Breaking Loads Kgs
	30	3	CW30-3PVC	190
100	3	CW100-3PVC	190	
30	4	CW30-4PVC	350	
100	4	CW100-4PVC	350	
30	6	CW30-6PVC	760	
100	6	CW100-6PVC	760	

Catenary Wire Accessories

Catenary Wire Grips



Wire dia	Code
3	CWG-23
4	CWG-4
6	CWG-6

Wall Hook Plates



Size	Code
50 x 50	HW-50

Catenary Wire Tensioners



Wire dia	Code
3	CWT-23
4 & 6	CWT-46

Eye Bolts



www.remora.net

Size	Code
M8 x 60	M8EB
M10 x 60	M10EB

Catenary Cable Suspenders



Max Cable dia	Code
32	LS32
38	LS38
48	LS48
54	LS54
60	LS60
72	LS72

Catenary Wire Eye



Wire dia	Code
3	WT-3
4	WT-4
6	WT-6

Morse Hole Saws & Arbors



Master Cobalt Hole Saws are uniquely designed to clear chip during cutting so they require less cutting pressure and last longer. This Premium line of professional quality hole saws features an M3 high-speed steel cutting edge, electron beam weld to a tough steel backer.

Applications Wood, Plastic, Machinable Metals, Stainless Steel Alloys, Nail-embedded Wood

Size	Arbor Type	Code
14	x	AV09
16	x	AV105
17	x	AV11
19	x	AV12
20	x	AV125
21	x	AV13
22	x	AV14
24	x	AV15
25	x	AV155
27	x	AV17
29	x	AV18
30	x	AV185
32	x	AV205
33	x	AV21
35	x	AV225
37	x	AV23
38	x	AV24
40	z	AV25
41	z	AV26
43	z	AV27
44	z	AV28
45	z	AV285
46	z	AV29
48	z	AV30
50	z	AV315
51	z	AV32
52	z	AV33
54	z	AV34
55	z	AV345
57	z	AV36
59	z	AV37
60	z	AV38

Size	Arbor Type	Code
62	z	AV385
64	z	AV40
65	z	AV41
67	z	AV42
68	z	AV425
68.5	z	AV435
70	z	AV44
73	z	AV46
75	z	AV475
76	z	AV48
79	z	AV50
83	z	AV52
86	z	AV54
89	z	AV56
92	z	AV58
95	z	AV60
98	z	AV62
100	z	AV63
102	z	AV64
105	z	AV66
108	z	AV68
111	z	AV70
114	z	AV72
121	z	AV76
127	z	AV80
140	z	AV88
146	z	AV92
152	z	AV96
160	z	HS160
168	z	HS168
177	z	HS177
210	z	HS210

These Items are not Morse Branded

Arbors	Shank Size	Arbor Type	Code
	1/4"	x	M24
	3/8"	x	M34
	7/16"	z	M45P

Arbor Extension	ME121
-----------------	-------

Pilot Drill	Arbor Type	Code
	x	MPD4s
	z	MPD4



Morse Hole Saw Kit & Display Boards

Electrician's Kit



Items Included	Code
1 x AV125 (20mm) 1 x AV155 (25mm) 1 x AV205 (32mm) 1 x AV24 (38mm) 1 x AV315 (50mm) 1 x M34 Arbor	TA04PO3

Display Board



Items Included	Code
To any specified arrangement	PBAVF100

SY Cable Gland Sizing



Cable Size mm ²	CX/CZ Cable Gland Sizing Chart													
	2	3	4	5	6	7	8	10	12	14	16	18	Sizing Ref:	
0.5	00	00	00	00	0	0	1	1	1	1	1	1	00 - M20ss	
0.75	00	00	00	0	0	0	1	1	1	1	1	1	0 - M20s	
1.0	00	00	0	0	0	0	1	1	1	1	1	1	1 - M20	
1.5	00	0	0	0	1	1	1	1	1	2	2	2	2 - M25	
2.5	0	0	0	1		1							3 - M32	
4.0	1	1	1	1		2							4 - M40	
6.0	1	1	2	2		2							5 - M50	
10	2	2	2	2		3								
16		2	3	3										
25		3	3	4										
35			4	5										
50			5											
70			5											



Cable Size mm ²	POSIBRAID Cable Gland Sizing Chart													
	2	3	4	5	6	7	8	10	12	14	16	18	Sizing Ref:	
0.5	00	00	00	0	0	0	1	1	1	1	1	1	00 - M20ss	
0.75	00	00	0	0	0	0	1	1	1	1	1	2	0 - M20s	
1.0	00	0	0	0	0	1	1	1	1	2	2	2	1 - M20	
1.5	0	0	0	1	1	1	2	2	2	2	2	2	2 - M25	
2.5	1	1	1	1	2	2	3	3	3	3	3	3	3 - M32	
4.0	1	1	2	2	2	2							4 - M40	
6.0	1	2	2	2		3							5 - M50	
10	2	2	3	3		4								
16		3	4	4		4								
25		4	4	5										
35		4	4	5										
50		5	5											
70			5											

Entry Thread Reference Tables

Morse Bi-Metal Hack Saw Blades



Bi-metal HSS hack saw blades provides longlife when cutting tougher materials including pipe, tubing, solids, wood, plastic or any machinable metal. High speed steel cutting edges are hardened to resist heat and wear. Flexible backers resist shattering, resulting in safer, longer lasting blades.

Size Inch	Size Metric	TPI (Teeth per Inch)	Code
12 x 1/2 x 0.025	300 x 12.7 x 0.6	18	BM300-18
12 x 1/2 x 0.025	300 x 12.7 x 0.6	24	BM300-24
12 x 1/2 x 0.025	300 x 12.7 x 0.6	36	BM300-36

Size Inch	Size Metric	TPI (Teeth per Inch)	Code
12 x 1/2 x 0.025	300 x 12.7 x 0.6	14-18 Vari Pitch	BM300-1418
12 x 1/2 x 0.025	300 x 12.7 x 0.6	20-24 Vari Pitch	BM300-2024
12 x 1/2 x 0.025	300 x 12.7 x 0.6	26-32 Vari Pitch	BM300-2636

ISO METRIC Thread BS3643:1981			
Size	Major Dia	Pitch mm	Thread per Inch
M16	15.97	1.5	16.93
M20	19.97	1.5	16.93
M25	24.97	1.5	16.93
M32	31.97	1.5	16.93
M40	39.97	1.5	16.93
M50	49.97	1.5	16.93
M63	62.97	1.5	16.93
M75	74.97	1.5	16.93

PG Thread DIN 40430 Thread			
Size	Major Dia	Pitch mm	Thread per Inch
PG7	12.5	18.0	20
PG9	15.2	14.0	18
PG11	18.6	14.0	18
PG13.5	20.4	11.5	18
PG16	22.5	11.5	18
PG21	28.3	11.5	16
PG29	37.0	11.5	16
PG36	47.0	8.0	16
PG42	54.0	8.0	16
PG48	59.3	8.0	16

NPT Thread ANSI/ASME:1983			
Size	Major Dia	Pitch mm	Thread per Inch
3/8	16.67	18.0	18
1/2	21.22	14.0	14
3/4	26.57	14.0	14
1	33.23	11.5	11 1/2
1 1/4	41.99	11.5	11 1/2
1 1/2	48.05	11.5	11 1/2
2	60.09	11.5	11 1/2
2 1/2	72.70	8.0	8
3	88.61	8.0	8
3 1/2	101.36	8.0	8

BSP Thread BS21:1985			
Size	Major Dia	Pitch mm	Thread per Inch
3/8	16.66	1.34	19
1/2	20.96	1.81	14
3/4	26.44	1.81	14
1	33.25	2.31	11
1 1/4	41.91	2.31	11
1 1/2	47.80	2.31	11
2	59.61	2.31	11
2 1/2	75.18	2.31	11
3	87.88	2.31	11
4	113.03	2.31	11

IMPERIAL (ET) Thread BS31:1940(1979)			
Size	Major Dia	Pitch mm	Thread per Inch
3/8	15.88	1.41	18
3/4	19.05	1.59	16
1	24.40	1.59	16
1 1/4	31.75	1.59	16
1 1/2	38.10	1.81	14
2	50.80	1.81	14
2 1/2	63.50	1.81	14
3	76.20	1.81	14



Cable Size	Cable Details		Cable Glands				Cable Cleat			Joint Kits				
	Cores	Cable OD mm	BW	CW	BW Corrosion Guard	E1W	E1EX	E1EX Corrosion Guard	Armortex		Clingstrap Cleat	One Hole Clamp	TC Clamp	All One Hole Clamp
1.5	2	12.3	0	00	00	00	00	00	00	5	10			RCM0
	3	12.8	0	00	00	00	00	00	00	6	10			RCM0
	4	13.5	0	0	0	0	0	0	0	6	11		2	RCM0
	5	14.2	0	0	0	0	0	0	0	6	11		2	RCM0
	6	15.2	0	0	0	0	0	0	0	6	11		2	RCM1
	7	15.2	0	0	0	0	0	0	0	6	11		2	RCM1
	8	17.6	1	1	1	1	1	1	1	7	12		3	RCM1
	10	19.8	1	1	1	1	1	1	1	8	13		4	RCM2
	12	19.4	1	1	1	1	1	1	1	8	13		4	RCM3
	16	21.9	2	2	2	2	2	2	2	9	13		4	RCM3
2.5	2	13.6	0	0	0	0	0	0	0	6	11		2	RCM0
	3	14.1	0	0	0	0	0	0	0	6	11		2	RCM0
	4	15.0	0	0	0	0	0	0	0	6	11		2	RCM0
	5	16.0	0	1	1	1	1	1	1	7	11		2	RCM0
	6	17.1	1	1	1	1	1	1	1	7	12		3	RCM1
	7	17.1	1	1	1	1	1	1	1	7	12		3	RCM1
	8	18.8	1	1	1	1	1	1	1	8	12		3	RCM1
	10	21.4	2	2	2	2	2	2	2	9	13		4	RCM2
	12	22.4	2	2	2	2	2	2	2	9	13		5	RCM3
	16	25.0	2	2	2	2	2	2	2	10	14		5	RCM3
4	2	14.7	0	0	0	0	0	0	0	6	11		2	RCM0
	3	15.3	0	0	0	0	0	0	0	7	11		2	RCM0
	4	16.4	1	1	1	1	1	1	1	7	12		3	RCM0
	6	15.9	0	1	1	1	1	1	1	7	11		2	RCM0
	3	16.6	1	1	1	1	1	1	1	7	12		3	RCM0
	4	18.7	1	1	1	1	1	1	1	8	12		3	RCM0
	10	18.0	1	1	1	1	1	1	1	8	12		3	RCM0
	3	19.5	1	1	1	1	1	1	1	8	13		4	RCM1
	4	21.1	2	2	2	2	2	2	2	9	13		4	RCM1
	2	20.0	1	1	1	1	1	1	1	8	13		4	RCM1
	3	21.2	2	2	2	2	2	2	2	9	13		4	RCM1
	4	22.9	2	2	2	2	2	2	2	10	13		5	RCM1
25	2	24.1	2	2	2	2	2	2	2	10	14		5	RCM1
	3	26.7	3	3	3	3	3	3	3	11	14		6	RCM2
	4	28.9	3	3	3	3	3	3	3	12	15		6	RCM2
35	2	27.9	3	3	3	3	3	3	3	12	15		6	RCM2
	3	29.6	3	3	3	3	3	3	3	12	15		6	RCM3
	4	32.1	3	3	3	3	3	3	3	14	15		6	RCM3

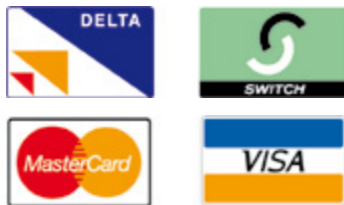
Cable Size	Cable Details		Cable Glands				Cable Cleat			Joint Kits				
	Cores	Cable OD mm	BW	CW	BW Corrosion Guard	E1W	E1EX	E1EX Corrosion Guard	Armortex		Clingstrap Cleat	One Hole Clamp	TC Clamp	All One Hole Clamp
50	1	17.5	2	2	2	2	2	2	2	11	14		5	RCM2
	3	28.5	3	3	3	3	3	3	3	12	15		6	RCM3
	4	32.0	3	3	3	3	3	3	3	14	15		6	RCM3
70	1	20.2	1	1	1	1	1	1	1	8	13		4	RCM3
	2	29.0	3	3	3	3	3	3	3	12	15		6	RCM3
	3	32.2	3	3	3	3	3	3	3	14	16		6	RCM3
	4	37.7	4	4	4	4	4	4	4	16	16		7	RCM3
95	1	22.3	2	2	2	2	2	2	2	9	13		5	RCM3
	2	33.1	3	3	3	3	3	3	3	14	16		6	RCM3
	3	37.0	4	4	4	4	4	4	4	16	16		7	RCM3
	4	41.7	4	4	4	4	4	4	4	18	17	8	8	RCM3
120	1	24.2	2	2	2	2	2	2	2	10	14		5	RCM3
	2	36.1	4	4	4	4	4	4	4	16	16		7	RCM3
	3	40.4	4	4	4	4	4	4	4	16	17		8	RCM4
	4	47.1	5	5	5	5	5	5	5	20	18	8	9	RCM4
150	1	27.4	3	3	3	3	3	3	3	11	15		6	RCM4
	2	39.3	4	4	4	4	4	4	4	16	17		8	RCM4
	3	45.5	5	5	5	5	5	5	5	18	17	8	9	RCM4
	4	51.4	5	5	5	5	5	5	5	18	18	9	10	RCS5
185	1	30.0	3	3	3	3	3	3	3	12	15		6	RCM4
	2	44.7	5	5	5	5	5	5	5	18	17	8	8	RCM4
	3	49.8	5	5	5	5	5	5	5	20	18	8	9	RCS5
	4	56.6	6	6	6	6	6	6	6	19	19	9	10	RCS5
240	1	32.8	3	3	3	3	3	3	3	14	16		6	RCM4
	2	49.0	5	5	5	5	5	5	5	20	18	9	9	RCM4
	3	55.1	6	6	6	6	6	6	6	19	19	9	10	RCS6
	4	63.0	6	6	6	6	6	6	6	16	16	10	11	RCS6
300	1	35.6	4	4	4	4	4	4	4	16	16		7	RCS5
	2	53.5	6	6	6	6	6	6	6	19	19	9	10	RCS5
	3	60.2	6	6	6	6	6	6	6	10	10	11	11	RCS6
	4	68.8	7	7	7	7	7	7	7	11	11	12	12	RCS6
400	1	40.4	5s	4	4	4	4	4	4	16	17		8	RCM4
	2	59.0	6	6	6	6	6	6	6	10	10	11	11	RCS6
	3	66.6	6	7	7	7	7	7	7	11	11	12	12	RCS6
	4	78.1	7	8	7	8	8	8	7	14	14	14	14	RCS6
500	1	44.2	5	5	5	5	5	5	5	18	17	8	8	RCM4
630	1	48.8	5	5	5	5	5	5	5	20	18	8	9	RCM4
800	1	55.4	6	6	6	6	6	6	6	19	19	9	10	RCS5
1000	1	60.6	6	6	6	6	6	6	6	10	10	11	11	RCS6

Sales

To place orders, request quotations and for any technical enquiries please use the following:-

Tel: **+44 (0)1226 352 000**
 Fax: **+44 (0)1226 360 510**
 email: **sales@remora.net**

We accept payments by:-



Website

www.remora.net

For latest news, to download catalogue pages and all relevant certificates please visit Remora Electrical web site.



Literature

Remora has a full cable cleat catalogue available giving comprehensive technical and sizing details covering all the cleating products listed in this price list. Please ask for a copy.

CCG Cable Terminations has a A5 sized catalogue that contains detailed information on every product from their range of cable gland, junction boxes and terminals. Please ask for a copy.

Band-It offer an extensive range of stainless steel clamping options. A full catalogue covering their products and detailed technical information, please ask for a copy.



Remora has been a supplier to each of these Worldwide Projects

Project	Country
Chek Lap Kok Airport	Hong Kong
British Library	United Kingdom
MSF Troll Lager	Norway
Canary Wharf	United Kingdom
ABB ASEA Skandia	Norway
IBM	United Kingdom
Siemens AS IMC-VGT Project	Norway
Lantau & Airport Railway Contract 555	Hong Kong
Jubilee Line Extension	United Kingdom
Ekofisk	Norway
CUF/Ammonia Project	Malaysia
Troll C	Norway
Channel Tunnel	UK/France
Oslo Gardemoen Airport	Norway
China Light & Power	Hong Kong
Banff Project	United Kingdom
Siri	Norway
Visund	Norway
Saldanha Steel	South Africa
Norne F.P.S.O.	Norway
Docklands Light Railway	United Kingdom
MosGas Field Development	South Africa
Njord Platform	Norway
Methanol Project	Norway
Janice Project	United Kingdom
Housing Dept	Hong Kong
Hewlett Packard Factory	Ireland
Asgard B	Norway
Snorre B	Norway/Spain
Merkadh Substation	U.A.E.
West Odin	Norway
Saudia Aramco Jeddah Refinery	Saudi Arabia
Woodside Gas Train 4	Australia
INEOS Fluor Genisis Project	United Kingdom

Agent/Distributor



Remora Electrical Limited

*Unit 8a Shortwood Business Park,
Barnsley, S74 9LH*

*Tel: +44 (0) 1226 352 000
Fax: +44 (0) 1226 360 510*

*email: sales@remora.net
www.remora.net
ISSUE NO: REM#0.3*

