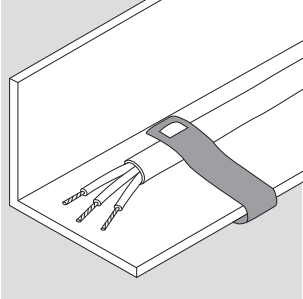
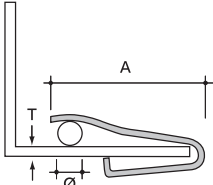


Cable

Girder clips for single & multiple cables

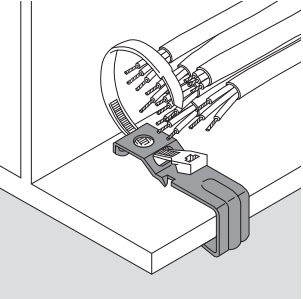
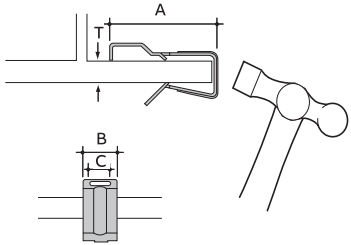
Girder clips for single cable

Part No.	ABB order code	T (mm)	Ø (mm)	A (mm)	Material finishes	Quantity (pieces)
LM-38	7TCA084030R1492	3-5	6-16	46	F8+	100
LM-38	7TCA084030R1492	5-8	3-10	46	F8+	100
LM-811	7TCA084030R1495	8-9	7-20	46	F8+	100
LM-811	7TCA084030R1495	10-11	7-12	46	F8+	100

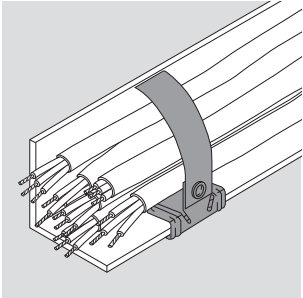
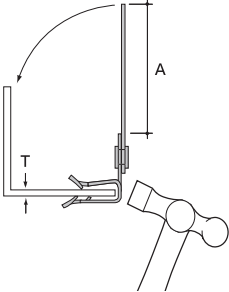
Girder clips for multiple cables

Part No.	ABB order code	T (mm)	A (mm)	B (mm)	C (mm)	Material finishes	Quantity (pieces)
GH-310	7TCA084030R1298	3-10	52	16	10	F8+	100
GH-1018	7TCA084030R1294	10-18	52	16	10	F8+	100

Girder clips for multiple cables

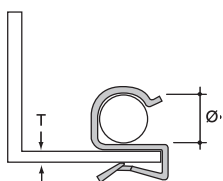
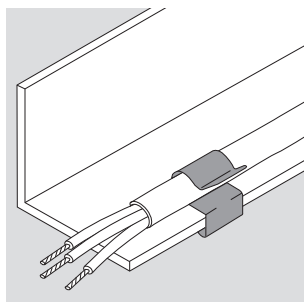
Part No.	ABB order code	T (mm)	A (mm)	Material finishes	Quantity (pieces)
AH153-B	7TCA084030R0527	1.5-3	65	F8+	25
AH38-B	7TCA084030R0574	3-8	58	F8+	25
AH814-B	7TCA084030R0634	8-14	58	F8+	25
AH1420-B	7TCA084030R0472	14-20	58	F8+	25

Cable

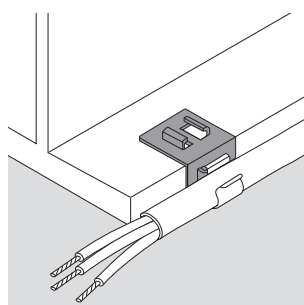
Girder clips for single cable

Girder clips for single cable

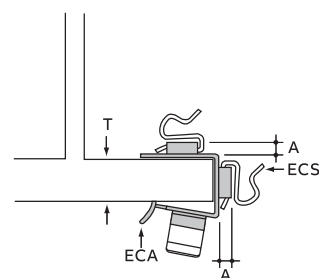


Part No.	ABB order code	T (mm)	Ø (mm)	Material finishes	Quantity (pieces)
ECS-4555	7TCA084030R1073	2-4	4.5-5.5	F8+	100
ECS-67	7TCA084030R1075	2-4	6-7	F8+	100
ECS-89	7TCA084030R1080	2-4	8-9	F8+	100
ECS-1011	7TCA084030R1049	2-4	10-11	F8+	100
ECS-1214	7TCA084030R1054	2-4	12-14	F8+	100
ECS-1519	7TCA084030R1059	2-4	15-18	F8+	100
ECS-2024	7TCA084030R1064	2-4	19-24	F8+	100
ECS-2532	7TCA084030R1069	2-4	25-32	F8+	100
ECM-4555	7TCA084030R1037	4-7	4.5-5.5	F8+	100
ECM-67	7TCA084030R1039	4-7	6-7	F8+	100
ECM-89	7TCA084030R1044	4-7	8-9	F8+	100
ECM-1011	7TCA084030R1015	4-7	10-11	F8+	100
ECM-1214	7TCA084030R1019	4-7	12-14	F8+	100
ECM-1519	7TCA084030R1024	4-7	15-18	F8+	100
ECM-2024	7TCA084030R1029	4-7	19-24	F8+	100
ECM-2532	7TCA084030R1034	4-7	25-32	F8+	100
ECL-4555	7TCA084030R1004	8-12	4.5-5.5	F8+	100
ECL-67	7TCA084030R1006	8-12	6-7	F8+	100
ECL-89	7TCA084030R1010	8-12	8-9	F8+	100
ECL-1011	7TCA084030R0980	8-12	10-11	F8+	100
ECL-1214	7TCA084030R0985	8-12	12-14	F8+	100
ECL-1519	7TCA084030R0990	8-12	15-18	F8+	100
ECL-2024	7TCA084030R0995	8-12	19-24	F8+	100
ECL-2532	7TCA084030R1000	8-12	25-32	F8+	100

Girder clips for single cable



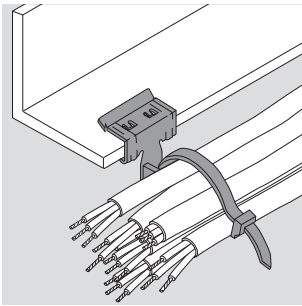
Part No.	ABB order code	T (mm)	A (mm)	Material finishes	Quantity (pieces)
ECA-1215	7TCA084030R0971	12-15	2-4	F8+	100
ECA-1520	7TCA084030R0975	15-20	2-4	F8+	100



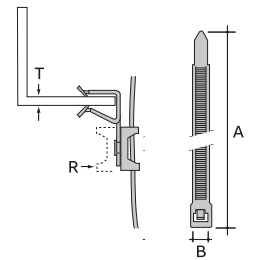
Cable

Girder clips, mounting base & cable tie for cable bundle

Girder clips, mounting base & cable tie for cable bundle

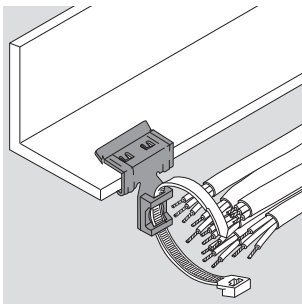


Part No.	ABB order code	T (mm)	B (mm)	B (mm)	Material finishes	Quantity (pieces)
AH153-CT2	7TCA084030R0537	1.5-3	200	7.6	F8+1	25
AH153-CT2R	7TCA084030R0540	1.5-3	200	7.6	F8+1	25
AH153-CT4	7TCA084030R0542	1.5-3	370	7.6	F8+1	25
AH38-CT2	7TCA084030R0586	3-8	200	7.6	F8+1	25
AH38-CT2R	7TCA084030R0588	3-8	200	7.6	F8+1	25
AH38-CT4	7TCA084030R0590	3-8	370	7.6	F8+1	25
AH814-CT2	7TCA084030R0644	8-14	200	7.6	F8+1	25
AH814-CT2R	7TCA084030R0646	8-14	200	7.6	F8+1	25
AH814-CT4	7TCA084030R0648	8-14	370	7.6	F8+1	25
AH1420-CT2	7TCA084030R0481	14-20	200	7.6	F8+1	25
AH1420-CT2R	7TCA084030R0483	14-20	200	7.6	F8+1	25
AH1420-CT4	7TCA084030R0485	14-20	370	7.6	F8+1	25

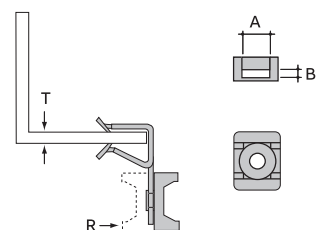


* Mounting bases and cable ties are made of Polyamide 6.6.

Girder clips & mounting base for cable bundles



Part No.	ABB order code	T (mm)	B (mm)	B (mm)	Material finishes	Quantity (pieces)
AH153-M	7TCA084030R0556	1.5-3	9	3.5	F8+	25
AH153-MR	7TCA084030R0559	1.5-3	9	3.5	F8+	25
AH38-M	7TCA084030R0616	3-8	9	3.5	F8+	25
AH38-MR	7TCA084030R0619	3-8	9	3.5	F8+	25
AH814-M	7TCA084030R0675	8-14	9	3.5	F8+	25
AH814-MR	7TCA084030R0679	8-14	9	3.5	F8+	25
AH1420-M	7TCA084030R0510	14-20	9	3.5	F8+	25
AH1420-MR	7TCA084030R0513	14-20	9	3.5	F8+	25



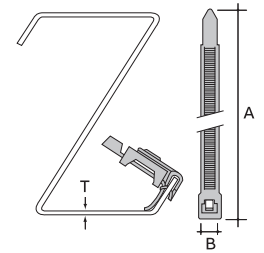
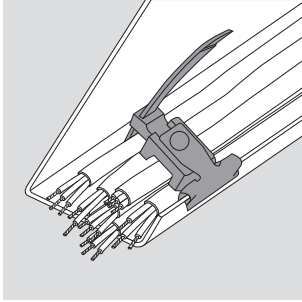
Cable tie not included. Ty-Rap® offers a range of cable ties suitable for use with E-Klips products, please contact your local distributor for further information.

Cable

Purlin clips, mounting base & cable tie for bundles

Purlin clips & mounting base for cable bundles

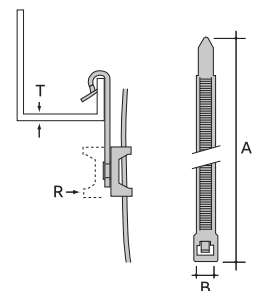
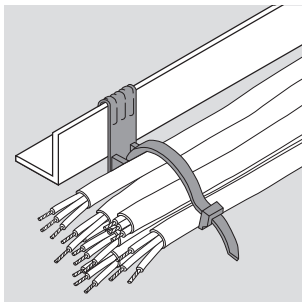
Part No.	ABB order code	T (mm)	A (mm)	B (mm)	Material finishes	Quantity (pieces)
AH153-CT2R	7TCA084030R0540	1.5-3	200	7.6	F8+*	25



* Mounting bases and cable ties are made of Polyamide 6.6.

Purlin clips, mounting base & cable tie for cable bundles

Part No.	ABB order code	T (mm)	A (mm)	B (mm)	Material finishes	Quantity (pieces)
AV155-CT2	7TCA084030R0766	1.5-4	200	7.6	F8+*	25
AV155-CT2R	7TCA084030R0768	1.5-4	200	7.6	F8+*	25
AV155-CT4	7TCA084030R0770	1.5-4	370	7.6	F8+*	25
AV57-CT2	7TCA084030R0813	4.5-7	200	7.6	F8+*	25
AV57-CT2R	7TCA084030R1921	4.5-7	200	7.6	F8+*	25
AV57-CT4	7TCA084030R1920	4.5-7	370	7.6	F8+*	25



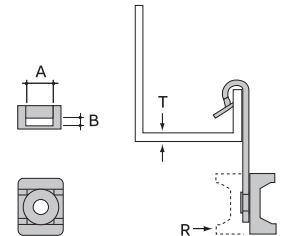
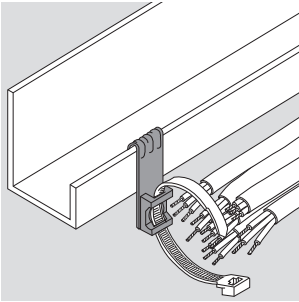
* Mounting bases and cable ties are made of Polyamide 6.6.

Cable

Purlin clips & mounting base for cable bundles

Purlin clips & mounting base for cable bundles

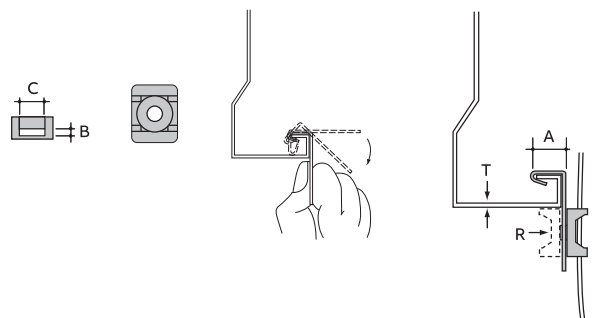
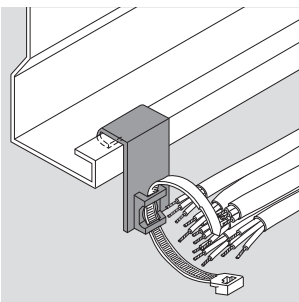
Part No.	ABB order code	T (mm)	A (mm)	Ø (mm)	Material finishes	Quantity (pieces)
AV155-M	7TCA084030R0788	1.5-4	9	3.5	F8+	25
AV155-MR	7TCA084030R0791	1.5-4	9	3.5	F8+	25
AV57-M	7TCA084030R0825	4.5-7	9	3.5	F8+	25
AV57-MR	7TCA084030R1919	4.5-7	9	3.5	F8+	25



Cable tie not included. Ty-Rap® offers a range of cable ties suitable for use with E-Klips products, please contact your local distributor for further information.

Purlin clips & mounting base for cable bundles

Part No.	ABB order code	T (mm)	A (mm)	B (mm)	C (mm)	Material finishes	Quantity (pieces)
SM125-M	7TCA084030R1779	≤3.0	9	3.5	12.5	F2	25
SM125-MR	7TCA084030R1918	≤3.0	9	3.5	12.5	F2	25



Cable tie not included. Ty-Rap® offers a range of cable ties suitable for use with E-Klips products, please contact your local distributor for further information.