

Tri-Trefoil

Dual-Fixing

Glass Fibre Reinforced Polyamide



The TRI Trefoil Clamp is designed for cleating three single cables in a trefoil configuration where low, medium or high short circuit withstand levels are required. The range is covered by five sizes and covers cables from 25.0 to 98.0mm overall diameter.

Glass fibre reinforced Polyamide provides high mechanical and chemical resistance. Designed to provide superior mechanical strength, ideal for installations where the cables are subject to short circuit rating. The width of the clamping area provides a controlled pressure on the cable and avoids damage to the isolation. Fire resistant and resistant to UV radiation and therefore suitable for indoor and outdoor use. No alteration of strength and signs of degrading within temperatures ranges from -80°C to +150°C. (Shortly up to +220°) Resistance to different amounts of radiation makes our products ideal for use in various areas of nuclear power plants. Its unique blend of chemical, electrical and physical properties makes it suitable for a wide range of industrial applications

Non Metallic Trefoil Cleat

- Cleating three single core cables in trefoil configuration where low, medium and high short circuit withstand levels are required
- Excellent weathering and corrosion resistance
- Fire and UV radiation resistant
- Excellent tensile strength
- Excellent stiffness

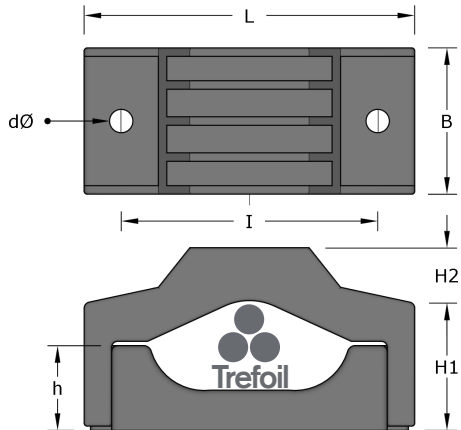
Standards: European Standard IEC 61914:2021

Mechanical Strength:
 TRI25-40 40.000N
 TRI35-53 48.800N
 TRI53-66 69.000N
 TRI67-82 55.600N
 TRI82-98 52.900N

Flame Resistance: UL94-V0

Temperature Range: -80°C to 120°C

Material: Glass Fibre Reinforced Polyamide



Code	Cable Range		Dimensions							Fixing Kit
	Min	Max	(d0)	(L)	(B)	(I)	(H1)	(H2)	(h)	
TRI25-40	25.0	40.0	14.5	160.0	75.0	125.0	68.0-95.0	14.0	38.0	DBFK10-150
TRI38-53	38.0	53.0	15.0	183.0	78.0	145.0	82.0-116.0	23.0	41.0	DBFK10-200
TRI53-66	53.0	66.0	15.0	216.0	80.0	169.0	100.0-120.0	44.0	44.0	DBFK10-200
TRI67-82	67.0	82.0	16.5	250.0	90.0	200.0	130.0-164.0	44.3	61.5	DBFK10-225
TRI82-98	82.0	98.0	16.5	282.0	100.0	234.0	125.0-160.0	79.0	69.5	DBFK10-225



Fixing Kit (see p.206)

Challenge us - We find a solution

Ident. & Wiring Term
Copper Lugs
Heatshrink Repair
Cable Joining
Junction Boxes
Flexible Conduit
Cable Glands
Gland Accs.
Cable Cleats
Earthing Lightning
MCC Cable
Cable Ties & Acc
Tooling & Cable Prep
Fixing & Security