

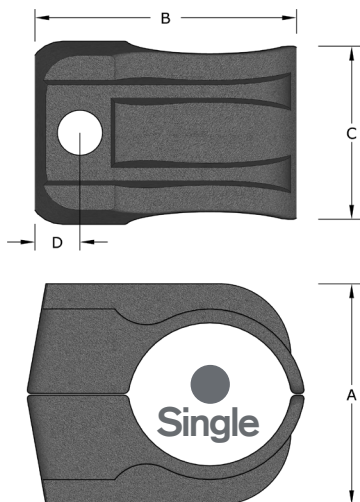
CABLE CLEATS

Single Fixing

Plastic Two-Part Single-Fixing

LSZH Nylon

The Single Fixing Two Part Clamps are designed to fit cables 10.0mm to 57.0mm diameter. Manufactured from high strength Zero halogen phosphorus free Nylon.



Plastic Two-Part Single-Fixing

- Fastening/fitting/routing single and multiple conductor low and medium voltage cables
- Excellent tensile strength
- Excellent weathering and high resistance to ultraviolet light
- Flame retardant UL94-V0
- Zero Halogen material

Standards: European Standard IEC 61914:2021

Temperature Range: -40°C to 60°C

Material: Black Flame Retardant V0 Zero Halogen Phosphorus Free Nylon (LSZH)



Low Smoke Code	Cable Range		Stud Hole Size	Dimensions				Fixing Kit	Pack QTY
	Min	Max		(A)	(B)	(C)	(D)		
1F10LSF	10.0	13.0	M10	27 - 30	37.8	41.4	10.2	SBFK10-100	100
1F11LSF	13.0	16.0	M10	30 - 33	41.2	41.4	10.4	SBFK10-100	100
1F12LSF	16.0	19.0	M10	33 - 36	44.3	41.4	10.7	SBFK10-100	100
1F13LSF	19.0	23.0	M10	36 - 40	48.2	41.4	10.9	SBFK10-100	100
1F14LSF	23.0	27.0	M10	40 - 44	52.2	41.4	11.3	SBFK10-100	100
1F15LSF	27.0	32.0	M10	44 - 49	57.1	41.4	11.6	SBFK10-100	100
1F16LSF	32.0	38.0	M10	49 - 55	63.1	41.4	12.1	SBFK10-100	100
1F17LSF	38.0	46.0	M10	58 - 66	71.3	41.4	12.9	SBFK10-125	50
1F18LSF	46.0	51.0	M10	67 - 73	77.3	41.4	13.5	SBFK10-125	50
1F19LSF	51.0	57.0	M10	72 - 78	83.2	41.4	13.9	SBFK10-125	50



Fixing Kit (see p.206)