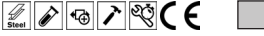
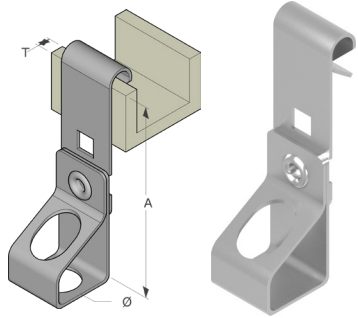


PURLIN CLIPS

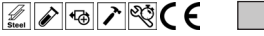
Purlin Clips for Threaded Rod



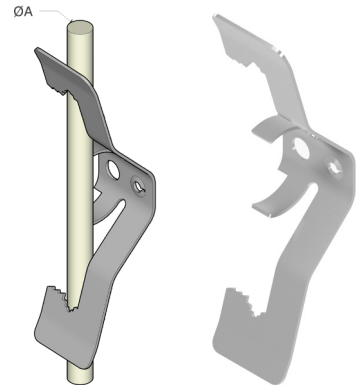
Code	(T)	Ø	(A)	Load		Material	
				Rating Kg	Finish	Box QTY	
AV155-AM127	1.5 - 4.0	12.7	70.0	68.0	F8+	25	
AV155-AM6T	1.5 - 4.0	M6	70.0	68.0	F8+	25	
AV155-AM8T	1.5 - 4.0	M8	70.0	68.0	F8+	25	
AV155-AM10T	1.5 - 4.0	M10	70.0	68.0	F8+	25	
AV57-AM127	4.5 - 7.0	12.7	70.0	68.0	F8+	25	
AV57-AM6T	4.5 - 7.0	M6	70.0	68.0	F8+	25	
AV57-AM8T	4.5 - 7.0	M8	70.0	68.0	F8+	25	
AV57-AM10T	4.5 - 7.0	M10	70.0	68.0	F8+	25	



Fastening Clips for Threaded Rod



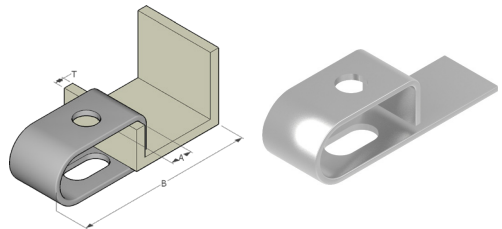
Code	Ø (A)	Fixing Size	Load		Material	
			Rating Kg	Finish	Box QTY	
FM-313T	M6 / M8 / M10	M4 / 6.5	10	F8+	100	
FM-320T	M6 / M8 / M10	M4 / 6.5	10	F8+	100	



Purlin Clamp for Threaded Rod



Code	(T)	Ø	(A)	(B)	Load		Material	
					Rating Kg	Finish	Box QTY	
PD	≤ 4	12.0	15.0	85.0	40.0	F2	50	



Ident & Wiring Term
Copper Lugs
Heatshrink Repair
Cable Joining
Junction Boxes
Flexible Conduit
Cable Glands
Gland Accs.
Cable Cleats
Earthing Lightning
MCC Cable
Cable Ties & Acc
Tooling & Cable Prep