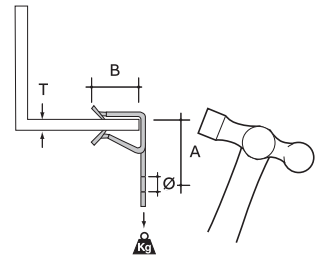
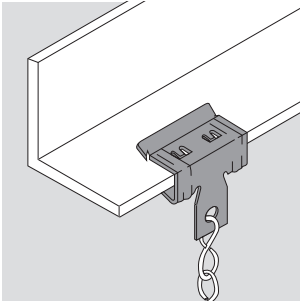


Girder & purlin

Girder and purlin clips & clamps

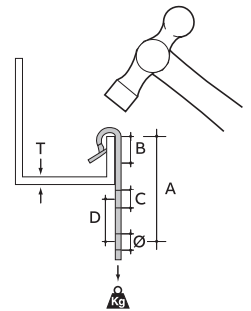
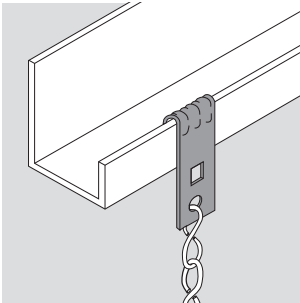
Girder clips for chain or wire

Part No.	ABB order code	T (mm)	Ø (mm)	A (mm)	B (mm)	Load rating (kg)	Material finishes	Quantity (pieces)
AH-153	7TCA084030R0448	1.5-3	6.5	16	12.5	72	F8+	100
AH-38	7TCA084030R0452	3-8	6.5	18	20.3	90	F8+	100
AH-814	7TCA084030R0457	8-14	6.5	26	20.3	90	F8+	100
AH-1420	7TCA084030R0443	14-20	6.5	30	26.6	90	F8+	100



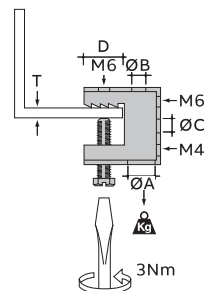
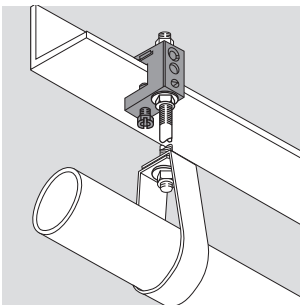
Purlin clips for chain or wire

Part No.	ABB order code	T (mm)	Ø (mm)	A (mm)	B (mm)	C (mm)	D (mm)	Load rating (kg)	Material finishes	Quantity (pieces)
AV-155	7TCA084030R0734	1.5-4	6.5	41	14	6.5	12	72	F8+	100
AV-57	7TCA084030R0452	4.5-7	6.5	42	15	6.5	12	72	F8+	100



Girder clamps for threaded rod

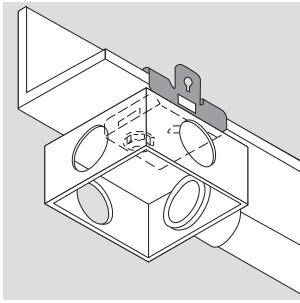
Part No.	ABB order code	T (mm)	ØA (mm)	ØB (mm)	ØC (mm)	D (mm)	Load rating (kg)	Material finishes	Quantity (pieces)
FH-65	7TCA084030R1214	Max 18	12.7	6.5	6.5	19.5	45	F8+	100
FH-107	7TCA084030R1210	Max 18	10.7	10.7	6.5	19.5	45	F8+	100



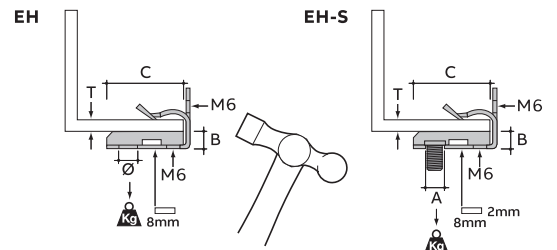
Girder & purlin

Girder & purlin clips

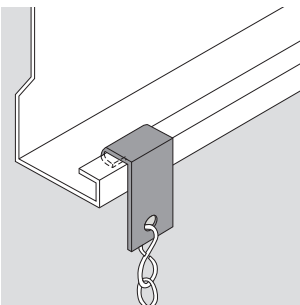
Girder clips for conduit box



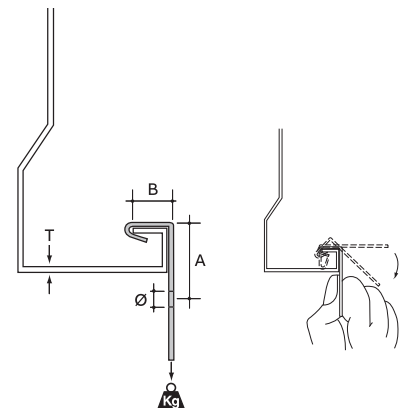
Part No.	ABB order code	T (mm)	Ø (mm)	A (mm)	B (mm)	C (mm)	Load rating (kg)	Material finishes	Quantity (pieces)
EH-38	7TCA084030R1091	3-8	7	-	7.5	33	45	F8+	100
EH-814	7TCA084030R1098	8-14	7	-	7.5	33	45	F8+	100
EH-1420	7TCA084030R1085	14-20	7	-	7.5	33	45	F8+	100
EH-38S	7TCA084030R1095	3-8	-	M6x10	7.5	33	45	F8+	100
EH-814S	7TCA084030R1102	8-14	-	M6x10	7.5	33	45	F8+	100
EH-1420S	7TCA084030R1088	14-20	-	M6x10	7.5	33	45	F8+	100



Purlin clip for chain or wire



Part No.	ABB order code	T (mm)	Ø (mm)	A (mm)	B (mm)	Load rating (kg)	Material finishes	Quantity (pieces)
SM-125	7TCA084030R1753	≤3.0	6.5	37	12.5	20	F2	100

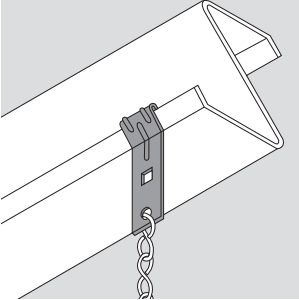
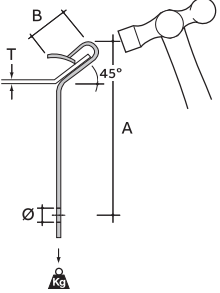


Girder & purlin

Purlin clips

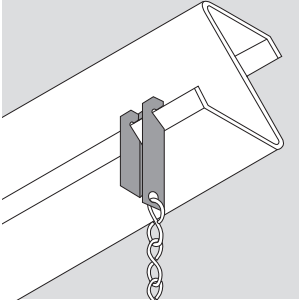
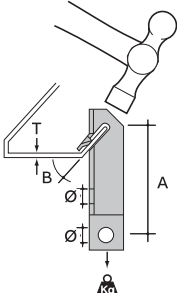
Purlin clip for chain or wire

Part No.	ABB order code	T (mm)	Ø (mm)	A (mm)	B (mm)	Load rating (kg)	Material finishes	Quantity (pieces)
RM-055	7TCA084030R1735	1.5-4	6.5	53	15	45	F8+	100

Purlin clip for chain or wire

Part No.	ABB order code	T (mm)	Ø (mm)	A (mm)	B (mm)	Load rating (kg)	Material finishes	Quantity (pieces)
VM-03	7TCA084030R1848	1-3	6.5	48	45°	45	F8+	100

Purlin clip for conduit box

Part No.	ABB order code	T (mm)	Ø (mm)	A (mm)	B (mm)	Load rating (kg)	Material finishes	Quantity (pieces)
TM-03	7TCA084030R1823	1-3	6.5	43	45°	45	F8+	100

