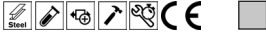
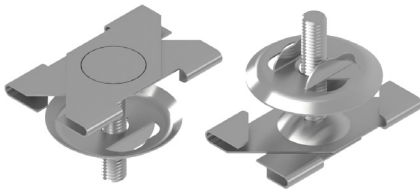
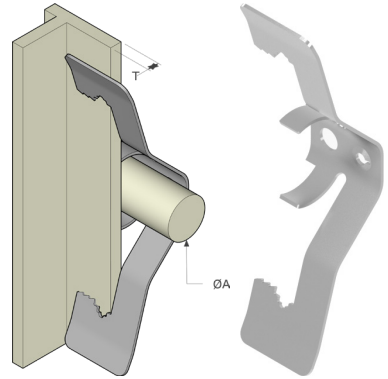


### Fastening Clips to conduit



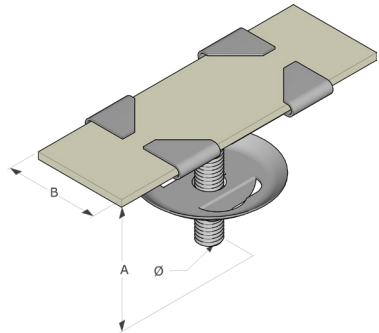
Code	Conduit Size		Load Rating Kg	Material	
	(T)	Ø (A)		Finish	Box QTY
FM-313T	3.0 - 5.0	16 - 25	45	F8+	100
	6.0 - 9.0	16 - 20	45	F8+	100
	9.0 - 13.0	16	45	F8+	100
FM-320T	3.0 - 5.0	20 - 38	45	F8+	100
	6.0 - 9.0	20 - 35	45	F8+	100
	9.0 - 13.0	20 - 30	45	F8+	100
	13.0 - 16.0	20 - 25	45	F8+	100
	16.0 - 20.0	20	45	F8+	100



### Suspended Ceiling Clips



Code	Ø	(A)	(B)	Load		Box QTY
				Rating Kg	Finish	
JHX-16SW (White)	M6	16.0	25.0	9.0	F4	100
JHX-16S	M6	16.0	25.0	22.0	F8+	100
JHX-38S	M6	38.0	25.0	22.0	F8+	100
JH-15SW (White)	M6	15.0	15.0	22.0	F4	100



Call the Remora sales team at **01226 352 000**

Challenge us - We find a solution