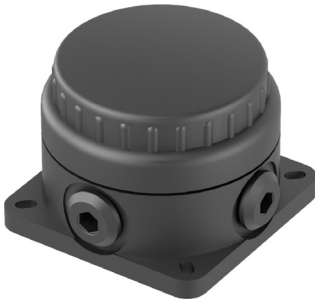


PRE-ASSEMBLED POSIFIT ATEX JUNCTION BOX



Posifit Box

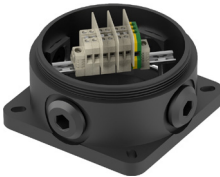
Pre-assembled 4 Way Ex Enclosure

The same features and benefits of the POSIFIT 4 Way range supplied pre-assembled in three sizes and terminal configurations to meet our customers' EX requirements.

POSIFIT range of enclosures are ATEX & IEXEx certified Ex eb I, Ex eb IIC, Ex ec IIC, EX tb IIC.



Code	Reference Size	Entry Thread	Terminal	Earth Terminal
1003-0-P	0 - M20s	M20 x 1.5	6 x 2.5-4.0mm ²	1 x 4.0mm ²
100301-P	1 - M20	M20 x 1.5	6 x 2.5-4.0mm ²	2 x 4.0mm ²
100302-P	2 - M25	M25 x 1.5	8 x 2.5-4.0mm ²	1 x 4.0mm ²



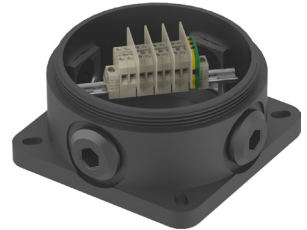
1003-0-P

- 4 x M20 cable entries
- 6 x 2.5-4.0mm² terminals linked in pairs
- 1 x 4.0mm² earth terminal
- Earth continuity ring
- 4 x blanking plugs



100301-P

- 4 x M20 cable entries
- 6 x 2.5-4.0mm² terminals linked in pairs
- 2 x 4.0mm² earth terminal
- Earth continuity ring
- 4 x blanking plugs



100302-P

- 4 x M25 cable entries
- 8 x 2.5-4.0mm² terminals linked in pairs
- 1 x 4.0mm² earth terminal
- Earth continuity ring
- 4 x blanking plugs

Posifit Box Locking Keys

Anti-tamper locking keys.



Code	Reference Size	Box Code	Box Code
DIPS0	0 - M20s	1003-0	1009-0
DIPS1	1 - M20	100301	100901
DIPS2	2 - M25	100302	100902
DIPS3	3 - M32	100303	100903

Call the Remora sales team at **01226 352 000**

Challenge us - We find a solution

Ident & Wiring Term
Copper Lugs
Heatshrink Repair
Cable Joining
Junction Boxes
Flexible Conduit
Cable Glands
Gland Accs.
Cable Cleats
Earthing Lightning
MCC Cable
Cable Ties & Acc
Tooling & Cable Prep
Fixing & Security