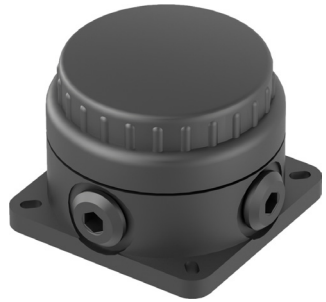


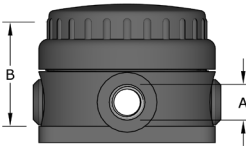
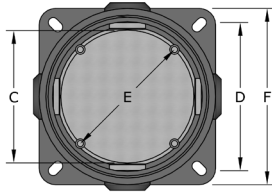
POSIFIT ATEX JUNCTION BOX

Posifit Box

EExe 4 Way Junction Box



The POSIFIT EExe 4-Way / Y Boxes are supplied for use in increased safety areas. They are manufactured from impact, corrosion and UV resistant glass reinforced polyester compound, and provides 1,2,3 or 4 way versatility. Screw on lid provides ease of installation and when locked with locking key prevents unauthorised tampering. POSIFIT range of enclosures are ATEX & IEXE certified Ex eb I, Ex eb IIC, Ex ec IIC, EX tb IIC.



Posifit Box

- No exposed metal parts
- Dust and water proof to IP68 when used with approved CCG glands
- One box offers 1, 2, 3 or 4 way versatility for reduced stock holding
- No drilling or tapping of cable entries required
- Mounting studs provided for DIN rail terminals
- Internal earth continuity ring to earth gland entries
- High temperature resistance, corrosion resistance & anti-static properties
- Only approved CCG cables glands and Ex e terminals must be used

Protection: IP66 / IP68

Ambient Temperature Range: -60°C to 55°C (Finished)

Service Temperature Range: -60°C to 110°C (Unfinished)

Material: Impact, Corrosion and UV Resistant Glass Reinforced Polyester

Colour: Black

Equipment Protection:

ATEX/UKEX: (Finished) I M2, II 2GD / 3G Ex eb I Mb / Ex eb IIC T6 Gb / Ex tb IIIC T70°C Db

ATEX/UKEX: (Unfinished) I M2, II 2GD / 3G Ex eb I Mb / Ex eb IIC Gb / Ex ec IIC Gc / Ex tb IIIC Db



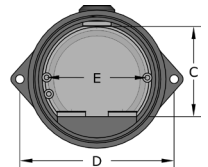
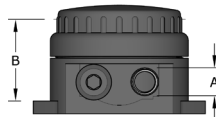
Code	Reference Size	(A)	(B)	(C)	(D)	(E)	(F)
1003-0	0 - M20s	M20 x 1.5	52.0	71.0	79.0	65.0	100.0
100301	1 - M20	M20 x 1.5	58.0	92.0	92.0	80.0	118.0
100302	2 - M25	M25 x 1.5	67.0	108.0	107.0	98.0	140.0
100303	3 - M32	M32 x 1.5	105.0	166.0	167.0	150.0	203.0
100304*	4 - M40	M20,M25, M32 or M40 x 1.5	139.0	225.0	240.0	246.0	298.0

* 100304 available with M20, M25, M32 or M40 Entries



Posifit Box - Y Box

Through box assembly. IP66/67/68 weatherproof suitable for indoor / outdoor use, above and below ground. Ideal for industrial applications, outdoor lighting etc. Designed to join two steel wire armoured cables.



Code	Reference Size	(A)	(B)	(C)	(D)	(E)
1009-0	0 - M20s	M20 x 1.5	52.0	60.0	108.0	62.0
100901	1 - M20	M20 x 1.5	58.0	75.0	132.0	77.0
100902	2 - M25	M25 x 1.5	67.0	94.0	148.0	95.0
100903	3 - M32	M32 x 1.5	105.0	150.0	237.0	152.0

All dimensions in mm except where stated